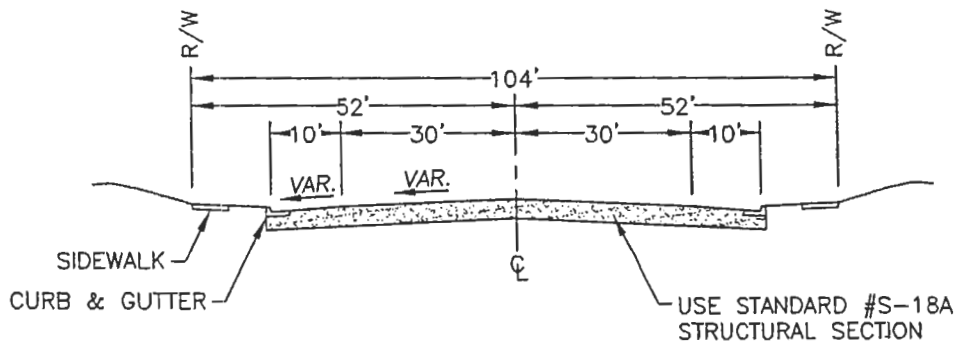


NOTE:
MINIMUM GUTTER GRADE
SHALL BE 0.25%

PLAN



NOTE:
LIMITS OF CROSS-SLOPE VARIATION
IN SECTION A-A:
30' TRAVELED WAY - 1½% TO 2%
10' SHOULDER - 2% TO 5%

SECTION A-A

REVISION	BY	DATE	APP. BY COUNCIL

CITY OF CHICO

STANDARD PLAN

DRAWN BY: GL DATE: 1/05
 CHECKED BY: MJ SCALE: NONE
 APPROVED: [Signature]
 DIRECTOR OF ENGINEERING

TYPICAL CUL-DE-SAC

NO.
S-18B

SHEET 1 OF 1