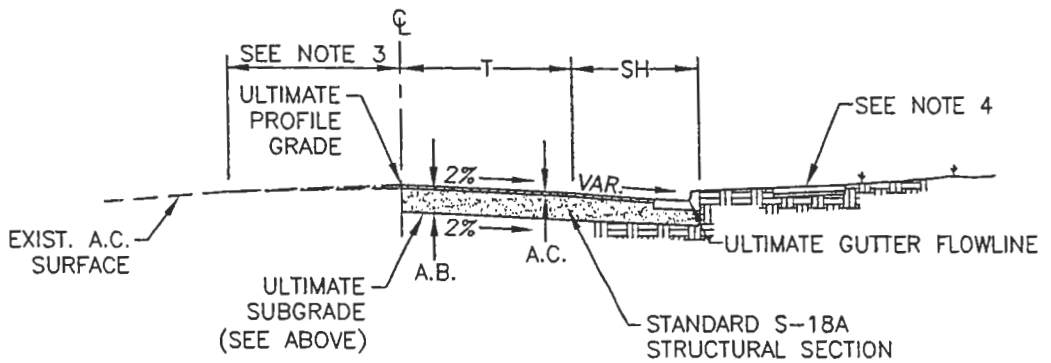


EXISTING CL GRADE ABOVE ULTIMATE PROFILE GRADE



EXISTING CL GRADE AT OR BELOW ULTIMATE PROFILE GRADE

NOTES:

1. STREET IMPROVEMENTS SHOWN ON THIS SHEET ARE REQUIRED IN CONJUNCTION WITH DEVELOPMENT OF SUBDIVISIONS WITH 5 OR MORE LOTS.
2. SEE STANDARD NO. S-18A FOR CROSS-SECTION WIDTHS ("T", "SH", "R/W" AND "S").
3. PLACE A FEATHERED A.C. OVERLAY TO A WIDTH AS DIRECTED BY THE ENGINEER.
4. CONSTRUCT CURB, GUTTER, SIDEWALK AND SLOPE GRADING PER STANDARD NO. S-18A.

REVISION	BY	DATE	APP. BY COUNCIL

CITY OF CHICO

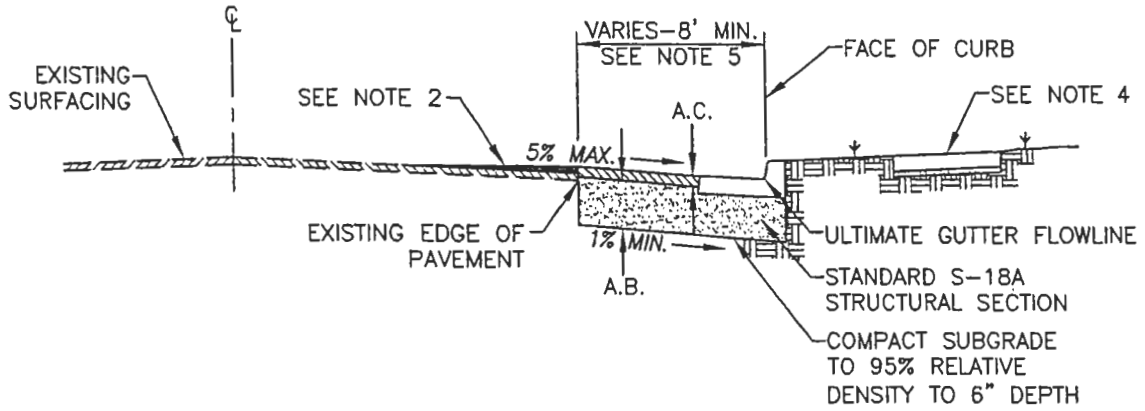
STANDARD PLAN

DRAWN BY: GL DATE: 1/05
 CHECKED BY: MJ SCALE: NONE
 APPROVED: [Signature]
 DIRECTOR OF ENGINEERING

**IMPROVEMENT OF
 EXISTING STREET
 (SEE NOTE 1)**

NO.
S-18D

SHEET 1 OF 2



NOTES:

1. STREET IMPROVEMENTS SHOWN ON THIS SHEET TO BE CONSTRUCTED IN CONJUNCTION WITH BUILDING PERMITS AND SUBDIVISIONS OF FOUR (4) LOTS OR LESS.
2. PLACE A FEATHERED A.C. OVERLAY AS NECESSARY TO PROVIDE MIN. 1% CROSS SLOPE ON NEW CONSTRUCTION.
3. ALTERNATE STRUCTURAL SECTION: STRUCTURALLY EQUIVALENT FULL DEPTH A.C. SECTION ON COMPACTED NATIVE SUBGRADE.
4. CONSTRUCT CURB, GUTTER, SIDEWALK AND SLOPE GRADING PER STANDARD NO. S-18A.
5. RECONSTRUCT STREET SHOULDER AREA TO EDGE OF EXISTING PAVEMENT OR BEYOND AS MAY BE NEEDED TO MAINTAIN A MAXIMUM FIVE PERCENT (5%) CROSS SLOPE.

REVISION	BY	DATE	APP. BY COUNCIL

CITY OF CHICO

STANDARD PLAN

DRAWN BY: GL DATE: 1/05
 CHECKED BY: MJ SCALE: NONE
 APPROVED: [Signature]
 DIRECTOR OF ENGINEERING

**IMPROVEMENT OF EXISTING
 STREET-SHOULDER ONLY
 (SEE NOTE 1)**

NO. **S-18D**
 SHEET 2 OF 2