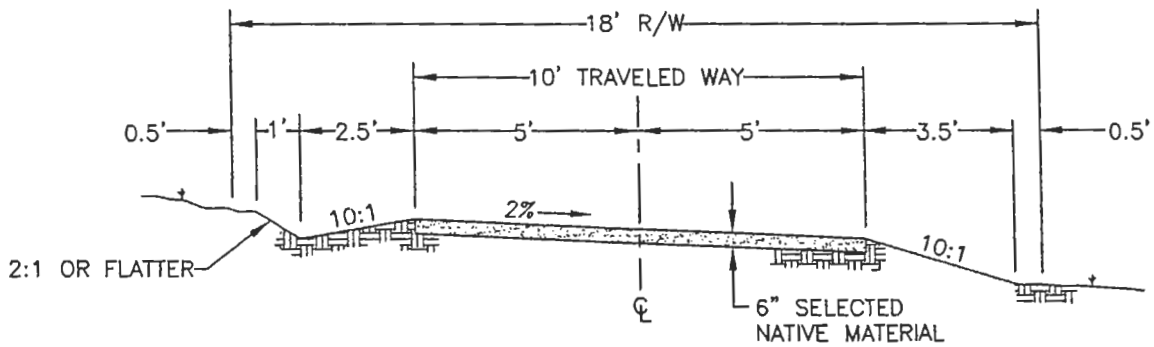


BICYCLE PATH



EQUESTRIAN WAY

REVISION	BY	DATE	APP. BY COUNCIL

CITY OF CHICO

STANDARD PLAN

DRAWN BY: GL DATE: 1/05
 CHECKED BY: MJ SCALE: NONE
 APPROVED: [Signature]
 DIRECTOR OF ENGINEERING

TYPICAL CROSS-SECTIONS
 OTHER PUBLIC WAYS

NO.
 S-18E

SHEET 1 OF 1

EXHIBIT Z