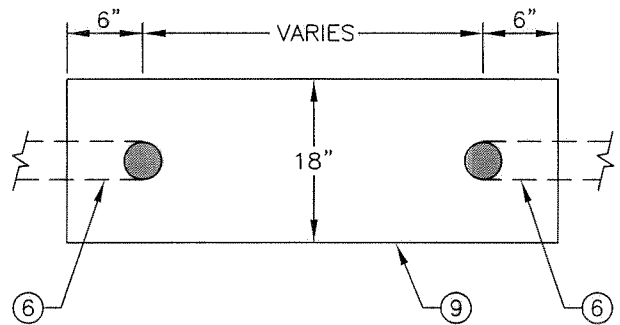


**SECTION VIEW**

**NOTES:**

- ① WILKINS 975RP REDUCED BACKFLOW PREVENTER OR APPROVED EQUAL. SEE PLANS FOR SIZE.
- ② WILKINS 70 PRESSURE REGULATOR OR APPROVED EQUAL, IF REQUIRED, SEE PLANS.
- ③ UNION (TYP).
- ④ 4" CONCRETE PAD SET 2" ABOVE FINISH GRADE IN GROUNDCOVER OR DECOMPOSED GRANITE, 1" ABOVE FINISH GRADE IN TURF.
- ⑤ FINISH GRADE.
- ⑥ SCHEDULE 40 OR 315 PVC MAINLINE. SEE PLANS FOR SIZE AND TYPE.
- ⑦ WRAP ALL BURIED GALVANIZED PIPE PER SPECS.
- ⑧ PVC SCHEDULE 40 ADAPTER/BUSHING (MFT x SLIP)
- ⑨ STAINLESS STEEL OR ALUMINUM ENCLOSURE, STRONG BOX SBBC AL SERIES OR APPROVED EQUAL. SEE PLANS FOR SIZE.
- ⑩ SCH. 40 GALVANIZED PIPE AND FITTINGS.



**PLAN VIEW**

REVISION	BY	DATE	APP. BY COUNCIL

**CITY OF CHICO**

**STANDARD PLAN**

DRAWN BY: GL DATE: 10/06  
 CHECKED BY: DB SCALE: NONE  
 APPROVED: [Signature]  
 DIRECTOR OF ENGINEERING

**REDUCED PRESSURE  
 BACKFLOW PREVENTER**

NO.  
**LS-7**

SHEET 1 OF 1