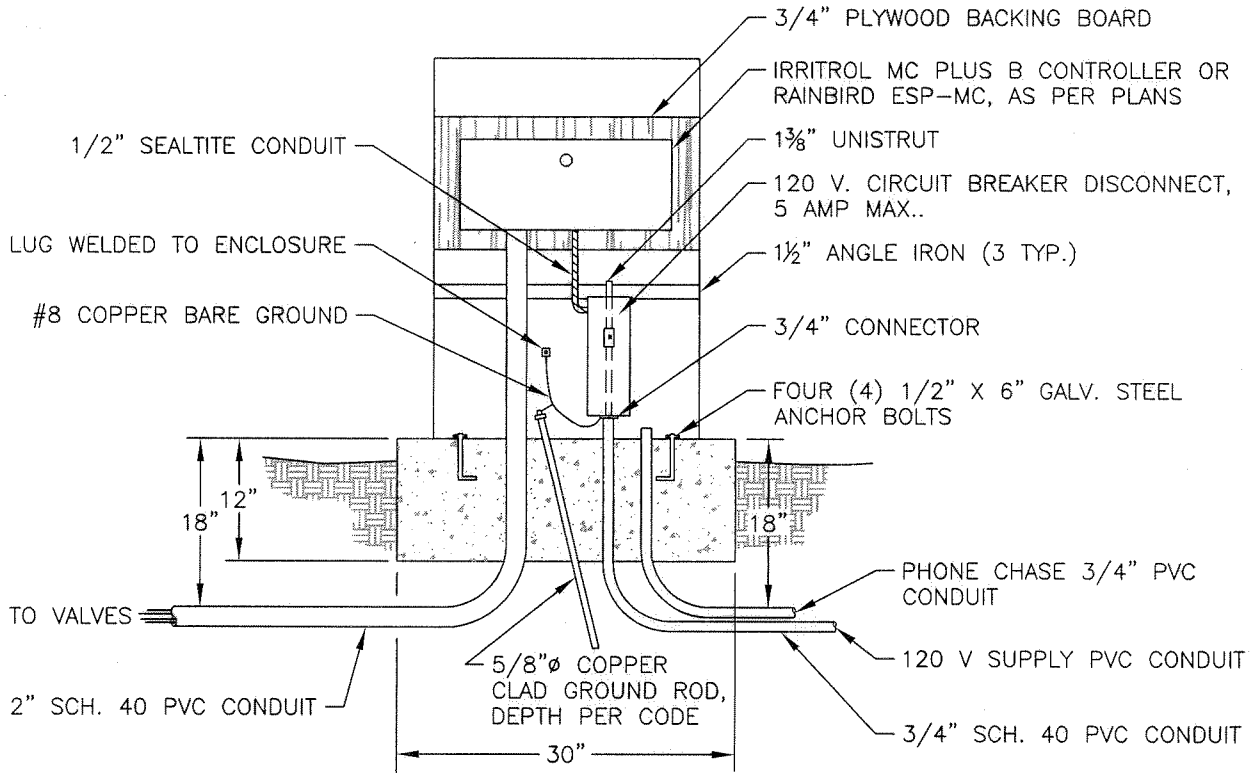


PLAN VIEW



SECTION VIEW

REVISION	BY	DATE	APP. BY COUNCIL

CITY OF CHICO

STANDARD PLAN

DRAWN BY: GL DATE: 10/06
 CHECKED BY: DB SCALE: NONE
 APPROVED: [Signature]
 DIRECTOR OF ENGINEERING

**CONTROLLER ENCLOSURE
WITH FAN**

NO.
LS-12

SHEET 1 OF 1