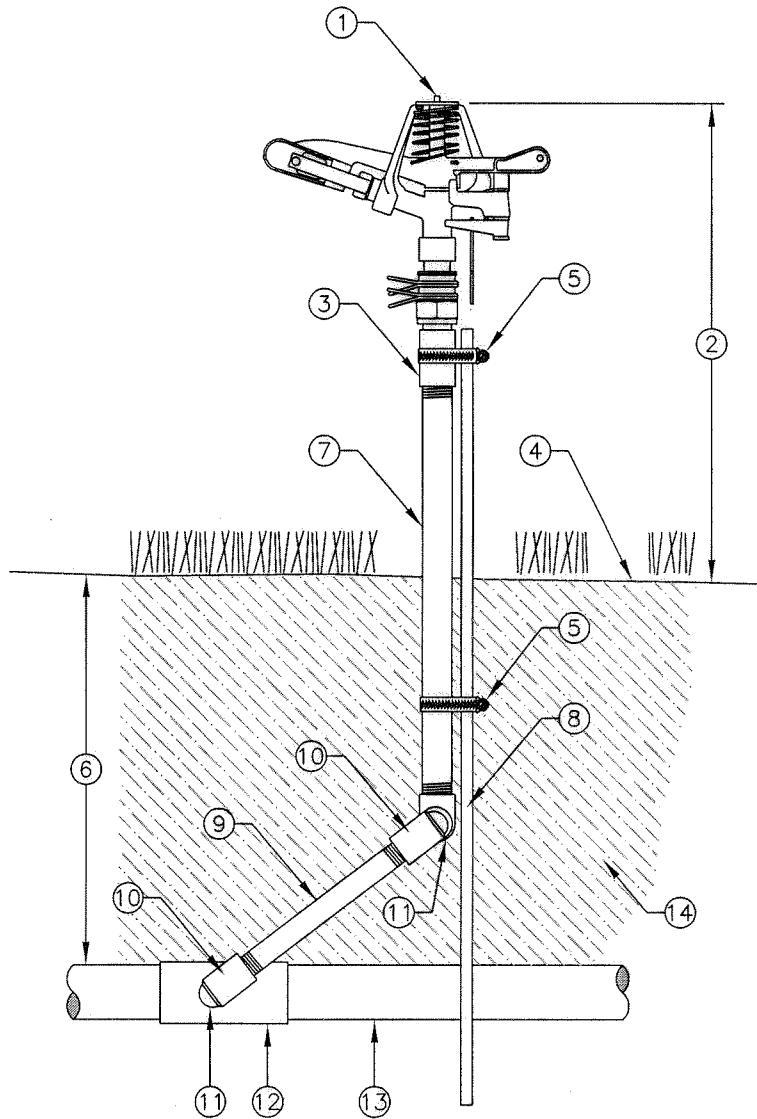


NOTES:

- ① IMPACT SPRINKLER HEAD.
- ② SET HEIGHT OF SPRINKLER HEAD PER PLAN, 10" MIN. ABOVE FINISH GRADE.
- ③ SCHEDULE 40 GALVANIZED STEEL COUPLING.
- ④ FINISH GRADE.
- ⑤ TWO STAINLESS STEEL HOSE CLAMPS, SIZE AS REQUIRED.
- ⑥ 12" MIN. COVER.
- ⑦ SCHEDULE 40 GALVANIZED STEEL NIPPLE, LENGTH AS REQUIRED. CONNECT TO SCHEDULE 80 PVC ELBOW (NOT SHOWN).
- ⑧ #6 REBAR STAKE; 36" MIN. LENGTH, 30" INTO GROUND.
- ⑨ SCHEDULE 80 PVC NIPPLE 12" MIN. LENGTH.
- ⑩ SCHEDULE 40 PVC STREET ELBOW, CONNECT TO SCHEDULE 80 SHORT NIPPLE.
- ⑪ SCHEDULE 80 PVC ELBOW (TxT).
- ⑫ SCHEDULE 40 PVC TEE (SxSxT).
- ⑬ SCHEDULE 40 PVC LATERAL LINE.
- ⑭ NATIVE SOIL BACKFILL FREE OF ROCKS LARGER THAN 1".



SECTION VIEW

REVISION	BY	DATE	APP. BY	COUNCIL

CITY OF CHICO

STANDARD PLAN

DRAWN BY: GL DATE: 11/06
 CHECKED BY: DB SCALE: NONE
 APPROVED: [Signature]
 DIRECTOR OF ENGINEERING

**IMPACT RISER
WITH SWING JOINT**

NO.
LS-16

SHEET 1 OF 1