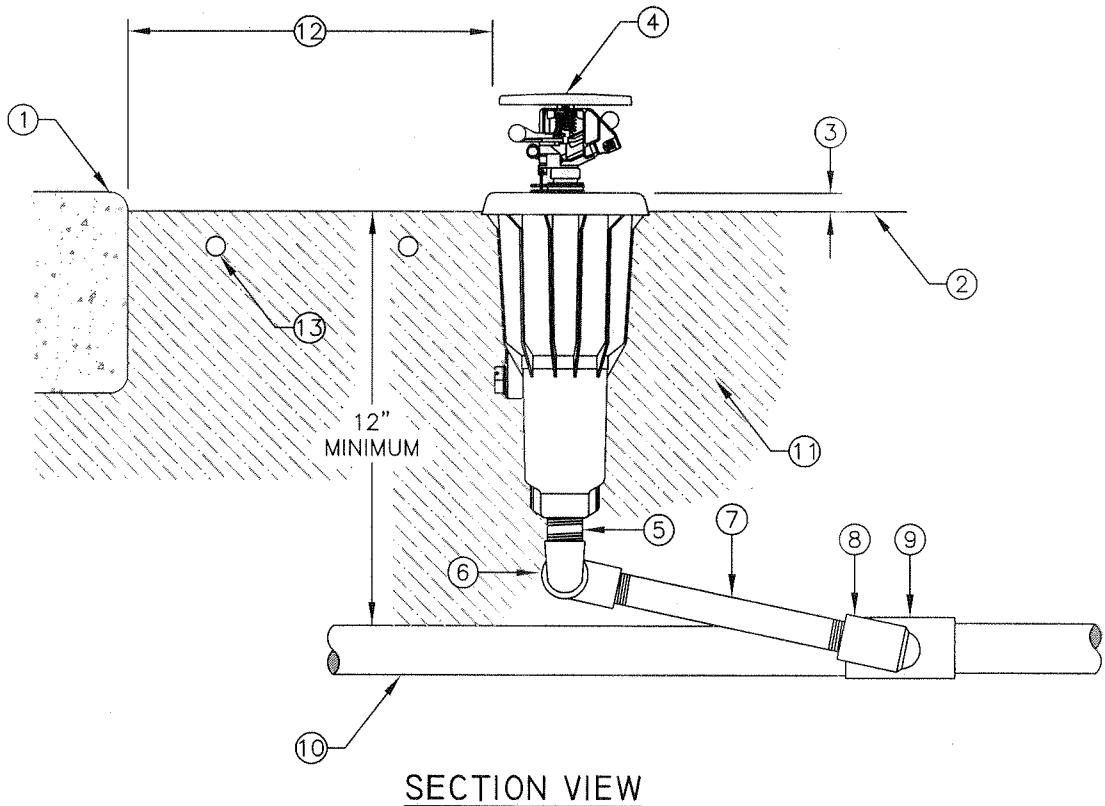


NOTES:

- ① EDGE OF PAVING OR FACE OF WALL. NARROW OR IRREGULAR SHAPED AREAS, INCLUDING TURF, LESS THAN 8 FEET IN WIDTH IN ANY DIRECTION SHALL BE IRRIGATED WITH SUBSURFACE OR LOW VOLUME IRRIGATION SYSTEM.
- ② FINISH GRADE.
- ③ SET TOP OF ROTOR AT FINISH GRADE OF CONCRETE AND ABOVE SOIL GRADE; ½" TO ¾" IN SOD, 2" IN PLANTER, DECOMPOSED GRANITE OR MULCH. TOP OF ROTOR SHALL BE LEVEL WITH TOP OF PAVING.
- ④ TURF POP-UP IMPACT ROTOR.
- ⑤ SCHEDULE 80 RISER, LENGTH AS REQUIRED.
- ⑥ DOUBLE SWING JOINT; SCHEDULE 40 PVC STREET ELBOW, SCHEDULE 40 PVC ELBOW T x T.
- ⑦ SCHEDULE 80 NIPPLE.
- ⑧ SCHEDULE 40 PVC STREET ELBOW.
- ⑨ LATERAL LINE WITH PVC TEE OR ELBOW.
- ⑩ PVC SCHEDULE 40 LATERAL LINE.
- ⑪ NATIVE SOIL BACKFILL, FREE OF ROCKS LARGER THAN 1".
- ⑫ OVERHEAD IRRIGATION SHALL NOT BE PERMITTED WITHIN 24 INCHES OF A NON PERMEABLE SURFACE.
- ⑬ IF AREA TO BE PLANTED. PROVIDE 2 DRIPLINES.



REVISION	BY	DATE	APP. BY COUNCIL

CITY OF CHICO

STANDARD PLAN

DRAWN BY: GL DATE: 9/09
 CHECKED BY: DB SCALE: NONE
 APPROVED: [Signature]
 CPSD DIRECTOR

**TURF IMPACT ROTOR
 WITH SWING JOINT**

NO.
LS-18

SHEET 1 OF 1