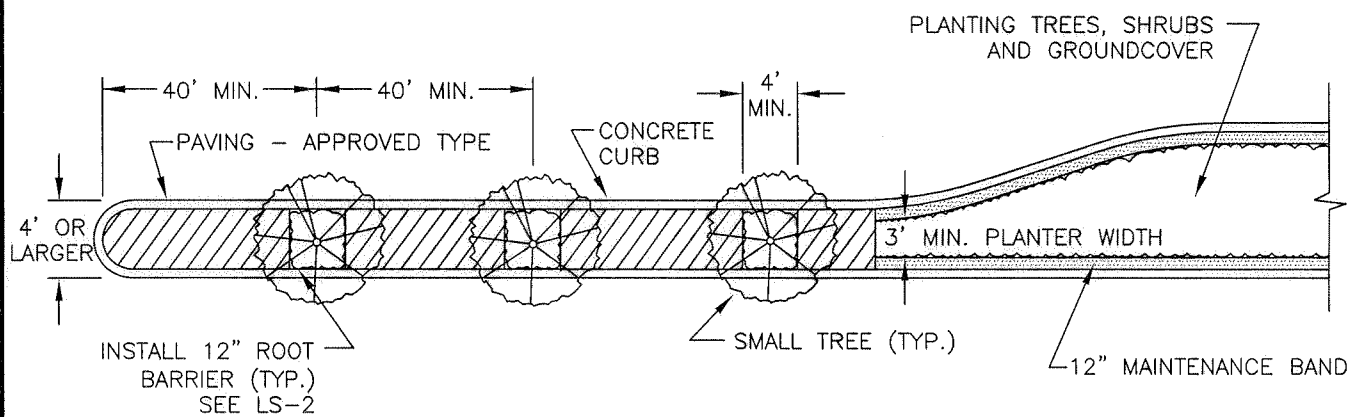
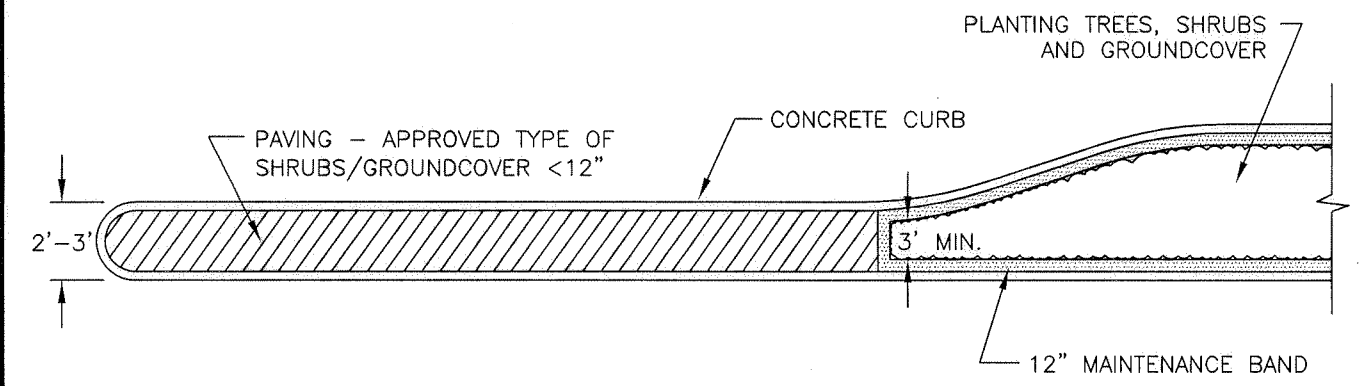


TYPE 3



TYPE 2



TYPE 1

PLAN VIEW

REVISION	BY	DATE	APP. BY COUNCIL

CITY OF CHICO

STANDARD PLAN

DRAWN BY: GL DATE: 11/06
 CHECKED BY: DB SCALE: NONE
 APPROVED: [Signature]
 DIRECTOR OF ENGINEERING

**TREE AND PAVEMENT
 LAYOUT IN MEDIAN ISLAND**

NO.
LS-25

SHEET 1 OF 1