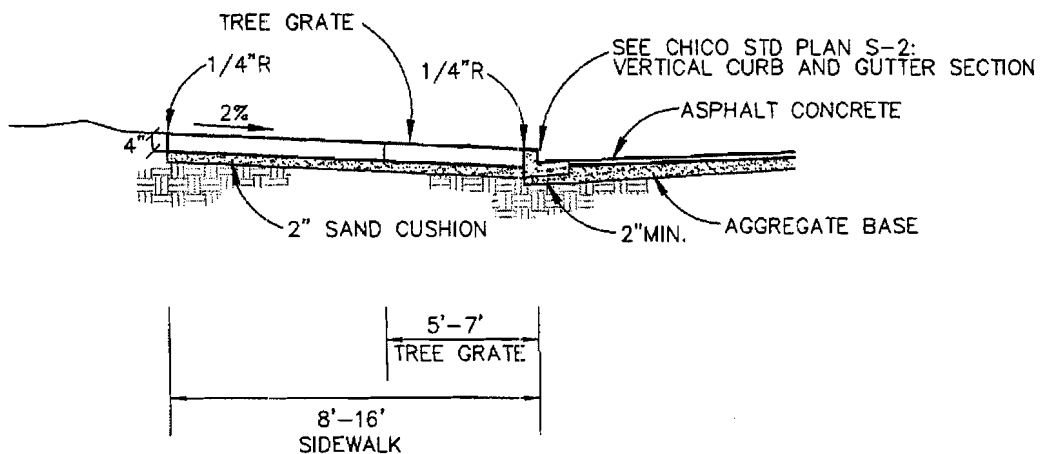


**NOTES:**

THIS SIDEWALK CONFIGURATION SHALL BE USED IN CONJUNCTION WITH ALL TND STREET SECTIONS, TN-1 THROUGH TN-21.

SEE CHICO STD PLAN S-1 FOR TYPICAL SIDEWALK SCORE LINES.



**NOTES:**

THIS OPTIONAL SIDEWALK CONFIGURATION AVAILABLE FOR USE IN TND SUBZONES NC AND CORE.

SEE CHICO STD PLAN S-1 FOR TYPICAL SIDEWALK SCORE LINES.

CITY OF CHICO

DRAWN BY RMS/VKS DATE MARCH 2007

CHECKED \_\_\_\_\_ SCALE NONE

APPROVED [Signature]  
ASST. DIRECTOR OF ENGINEERING

SIDEWALK DETAILS:  
PLANTER AND TREE GRATE OPTIONS

TN-22

**EXHIBIT** ✓

(6/19/07)