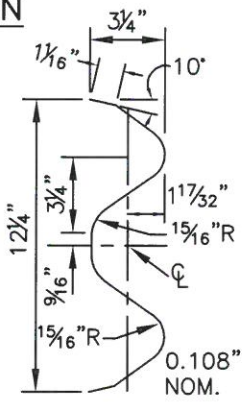
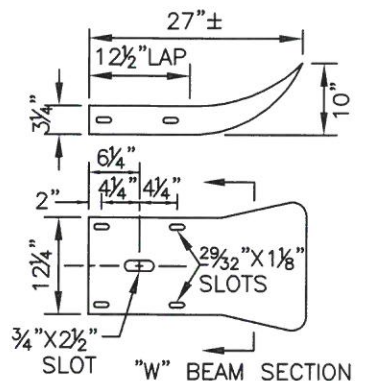


5/8" X 1 1/4" BUTTON HEAD OVAL SHOULDER BOLTS WITH 1 1/4" RECESSED HEX NUTS - TOTAL 8 PER SPLICE AND 4 PER TERMINAL SECTION

RAIL SPLICE



SECTION THRU "W" BEAM RAIL ELEMENT



TERMINAL SECTION
(TYPE "B" CALTRANS STD. A-77C-1)

NOTES:

1. END SIGNS AND TYPE "N" MARKERS SHALL CONFORM TO THE PROVISIONS IN SECTION 56-2, "ROADSIDE SIGNS", OF THE STATE OF CALIFORNIA DEPARTMENT OF TRANSPORTATION STANDARD SPECIFICATIONS, JULY 2002. SIGNS AND MARKERS SHALL BE ALUMINUM PANELS NOT LESS THAN 0.080 INCH THICK. SIGN FACING SHALL BE HIGH INTENSITY GRADE, REFLECTIVE SHEETING CONFORMING TO THE STATE OF CALIFORNIA SPECIFICATIONS FOR REFLECTIVE SHEETING ALUMINUM SIGNS, JUNE 1985.
2. SIGNS AND MARKERS SHALL BE MOUNTED TO THE STEEL POSTS USING A HAWKINS - HAWKINS M2G-S2S "SIGN SADDLE" OR APPROVED EQUAL.
3. METAL BEAM GUARD RAILING SHALL CONFORM TO THE PROVISIONS IN SECTION 83-1, "RAILINGS", OF THE STATE OF CALIFORNIA DEPARTMENT OF TRANSPORTATION STANDARD SPECIFICATIONS, JULY 2002.

REVISION			
BY			
DATE			
APP. BY COUNCIL			

CITY OF CHICO

STANDARD PLAN

DRAWN BY: GL DATE: 02/2016
 CHECKED BY: BO SCALE: NONE
 APPROVED: [Signature]
 PUBLIC WORKS DIRECTOR-ENGINEERING

STREET BARRICADES

NO. **S-21**

SHEET 1 OF 1