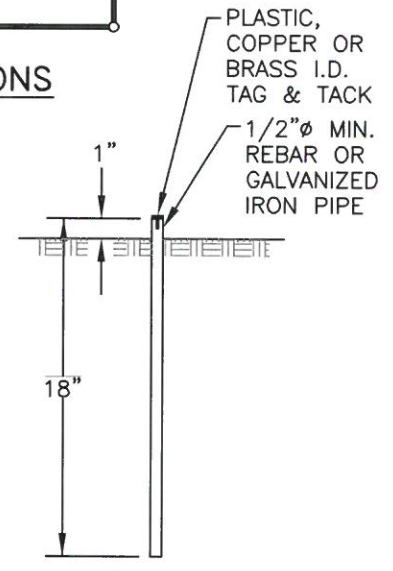


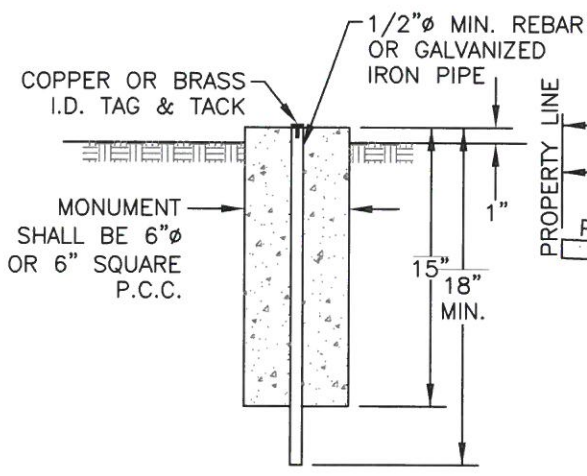
STANDARD MONUMENT LOCATIONS

LEGEND

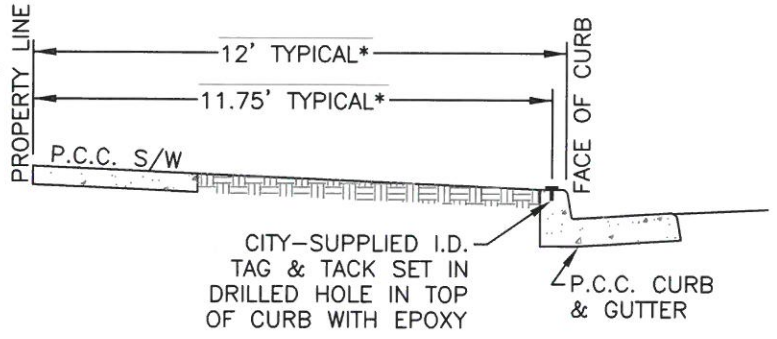
- 1/2" PIPE/REBAR MONUMENT.
- PERMANENT MONUMENT. (SUBDIVISION OR PARCEL MAP BOUNDARY CORNERS AND BOUNDARY LINE ANGLE POINTS)
- WITNESS CORNER. SET IN TOP OF CURB ON PROLONGATION OF LOT LINES. SHOW DISTANCE TO PROPERTY LINE ON RECORD OF SURVEY AND SUBDIVISION MAPS.
- △ 1 1/2" BRASS CAP MONUMENT W/18" X 1/2" SHAFT. SET AT INTERSECTIONS AND AT INTERVALS NOT TO EXCEED 500'. SET POINTS SHALL BE INTERVISABLE.
- ▣ WITNESS MONUMENT. SET IF CENTERLINE MONUMENT CANNOT BE SET.



PIPE/REBAR MONUMENT



PERMANENT MONUMENT



WITNESS CORNER

*NOTE: SEE STD. S-18A FOR PARKWAY WIDTH

REVISION	BY	DATE	APP. BY COUNCIL

CITY OF CHICO STANDARD PLAN

DRAWN BY: GL DATE: 02/2016
 CHECKED BY: BO SCALE: NONE
 APPROVED: [Signature]
 PUBLIC WORKS DIRECTOR-ENGINEERING

CITY MONUMENTS CONSTRUCTION & LOCATION

NO. **S-20**
 SHEET 1 OF 1