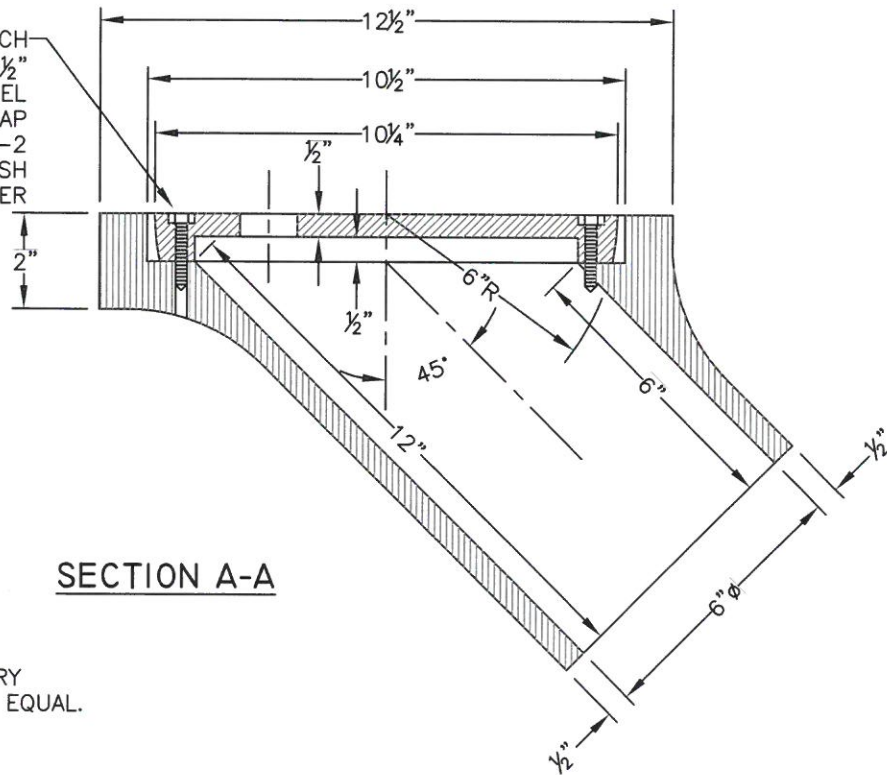


INSTALL 2 EACH
 1/4" X 1 1/2"
 STAINLESS STEEL
 HEX. HD. CAP
 SCREW-20 NC-2
 RECESSED FLUSH
 WITH COVER



SECTION A-A

SOUTH BAY FOUNDRY
 NO. SBF-1247 OR EQUAL.

NOTES:

1. SEE STD. S-13 FOR METHOD OF INSTALLATION & RISER CONSTRUCTION.
2. USE 8"Ø CASTING FOR TERMINUS OF 8" SEWER MAIN.

REVISION	BY	DATE	APP. BY COUNCIL

CITY OF CHICO

STANDARD PLAN

DRAWN BY: GL DATE: 02/2016
 CHECKED BY: BO SCALE: NONE
 APPROVED: [Signature]
 PUBLIC WORKS DIRECTOR-ENGINEERING

**FLUSHING HOLE
 CAST IRON FRAME & COVER**

NO.
S-15

SHEET 1 OF 1