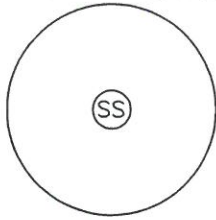
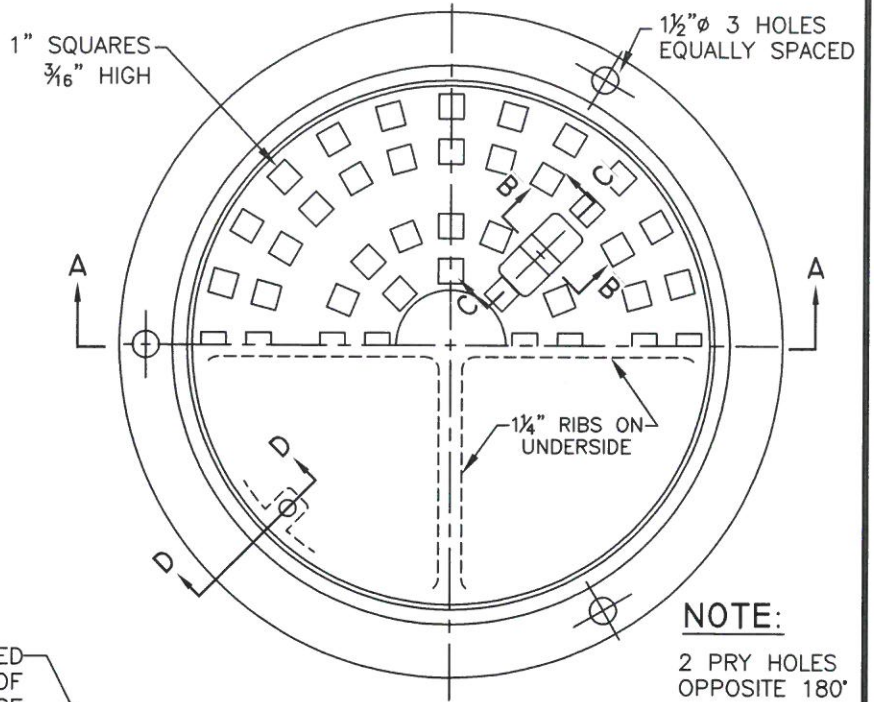


**STD. 24" FRAME
& COVER**

SOUTH BAY FOUNDRY NO.
SBF-624BD OR
APPROVED EQUAL
APPROX. WT. 294 LBS.

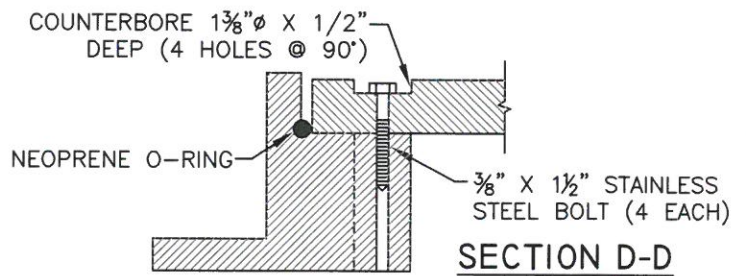
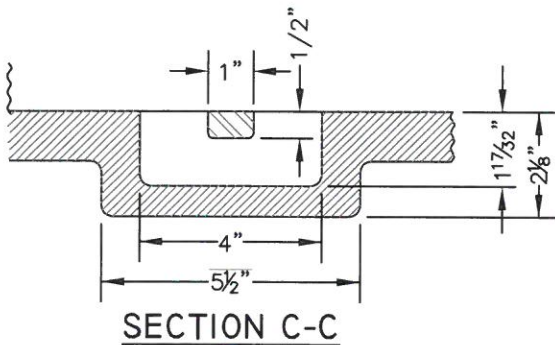
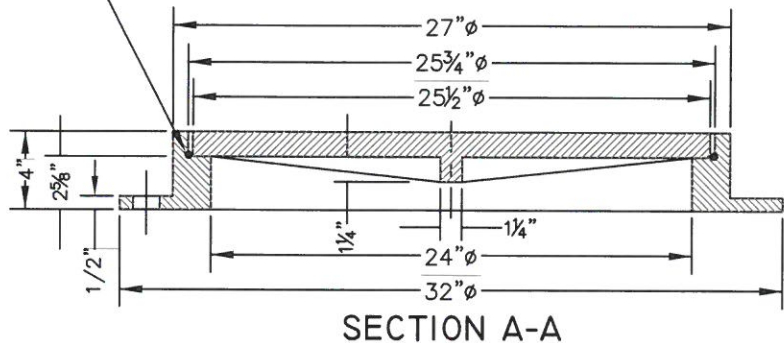
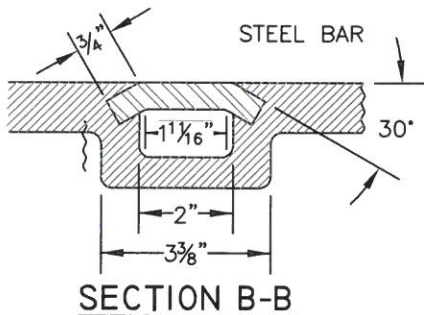


LETTERING REQUIRED
ON ALL M.H. COVERS:
SS=SANITARY SEWER
SD=STORM DRAIN



1/4" NEOPRENE N-439 O-RING SECURED
WITH ADHESIVE. MATING SURFACES OF
FRAME & COVER ARE MACHINED. GREASE
O-RING LIGHTLY ON FINAL ASSEMBLY.

NOTE:
2 PRY HOLES
OPPOSITE 180°



NOTES:

1. SEE STD. S-10 & S-13 FOR METHOD OF SETTING FRAME.
2. UPON REQUEST, ENGINEER MAY APPROVE THE USE OF NON-BOLT DOWN MANHOLE FRAME AND COVERS ON LOCAL AND RESIDENTIAL STREETS AND CUL-DE-SACS.

REVISION	BY	DATE	APP. BY COUNCIL

CITY OF CHICO

STANDARD PLAN

DRAWN BY: GL DATE: 02/2016
 CHECKED BY: BO SCALE: NONE
 APPROVED: [Signature]
 PUBLIC WORKS DIRECTOR-ENGINEERING

**BOLT DOWN MANHOLE
FRAME & COVER DETAILS**

NO.
S-14

SHEET 1 OF 1