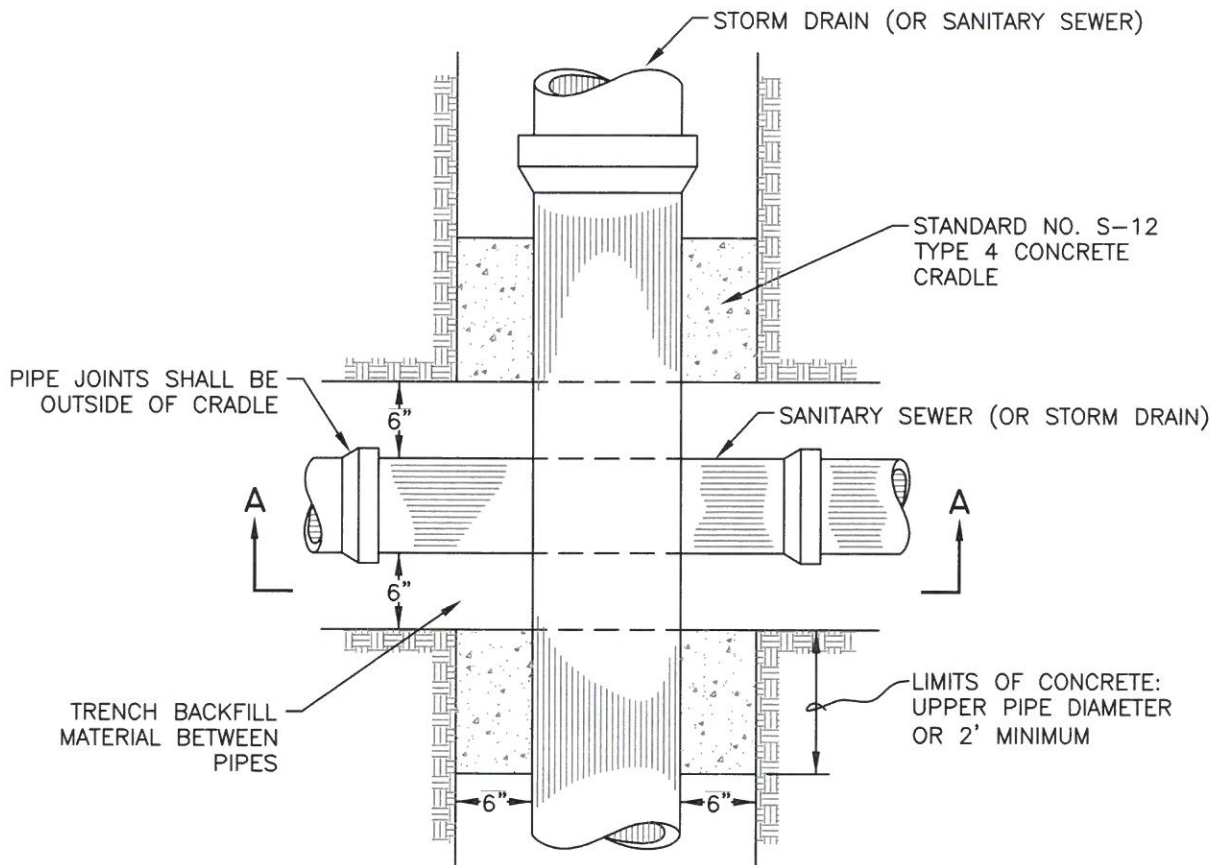


**SECTION A-A**



**PLAN VIEW**

REVISION	BY	DATE	APP. BY COUNCIL

**CITY OF CHICO**

**STANDARD PLAN**

DRAWN BY: GL      DATE: 02/2016  
 CHECKED BY: BO      SCALE: NONE  
 APPROVED: *[Signature]*  
 PUBLIC WORKS DIRECTOR-ENGINEERING

**PIPE CROSSING CRADLE**

NO.  
**S-12A**

SHEET 1 OF 1