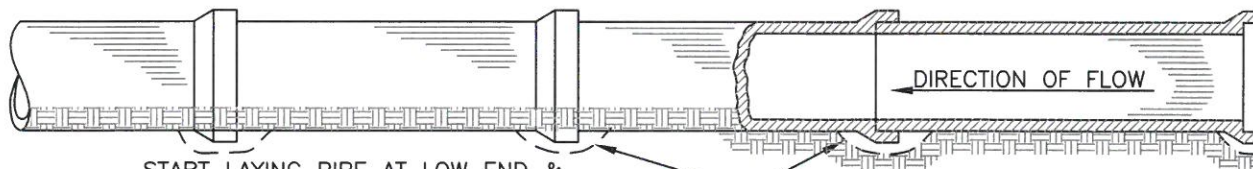
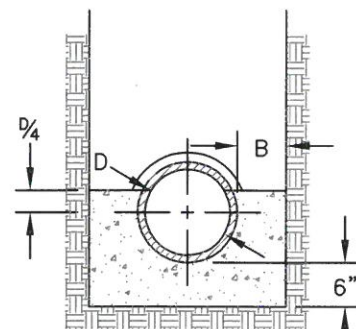
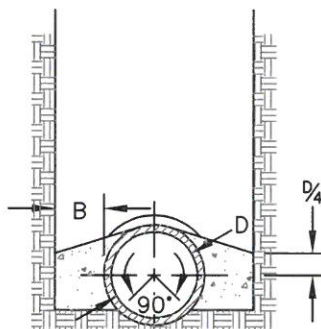


TYPE 3A
CONCRETE FOR ROCK TRENCH BOTTOM



NOTE:
FOR PVC, VCP, AND DIP PIPE B=6"
FOR HDPE B=12"

REVISION	BY	DATE	APP. BY COUNCIL

CITY OF CHICO

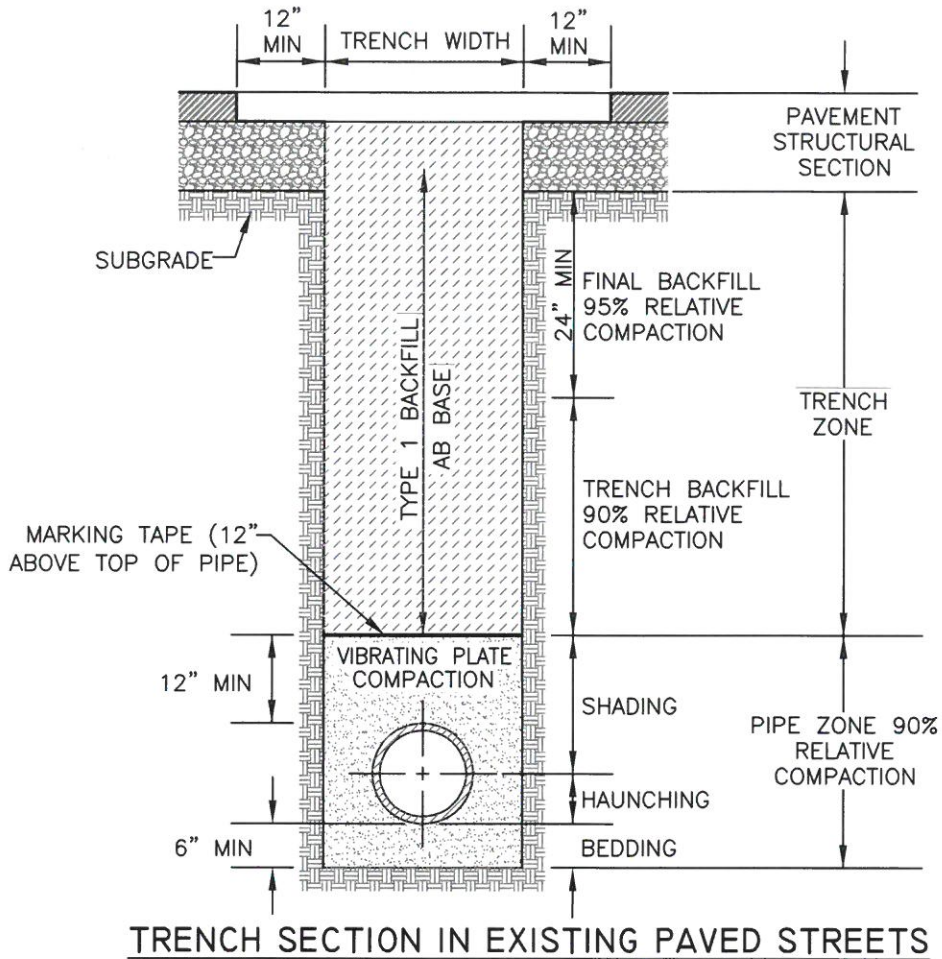
STANDARD PLAN

DRAWN BY: GL DATE: 02/2016
 CHECKED BY: BO SCALE: NONE
 APPROVED: Paul Otter
 PUBLIC WORKS DIRECTOR-ENGINEERING

**APPROVED METHODS
OF LAYING PIPE**

NO.
S-12

SHEET 1 OF 4



NOTES:

1. TRENCH WIDTH, PIPE BEDDING, AND BACKFILL SHALL CONFORM TO THE APPLICABLE REQUIREMENTS AND PROVISIONS OF STANDARD ____S17?
2. THESE ARE MINIMUM REQUIREMENTS. IF OTHER JURISDICTIONAL AGENCY REQUIREMENTS EXCEED THOSE SHOWN, THE GREATER REQUIREMENT SHALL BE MET.
3. 100% AB REQUIRED FOR SIDEWALK OR DRIVEWAY.

REVISION	BY	DATE	APP. BY	

CITY OF CHICO

STANDARD PLAN

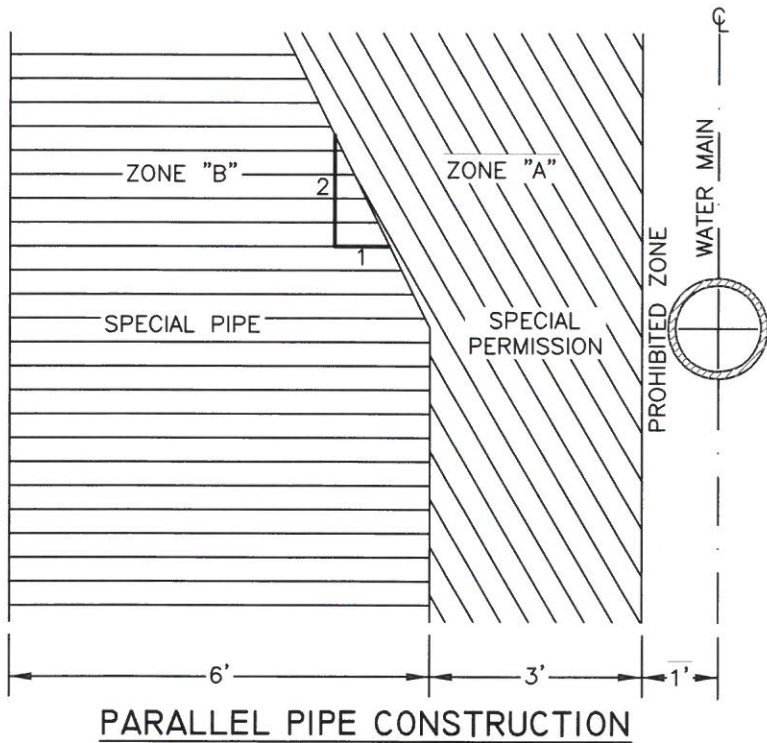
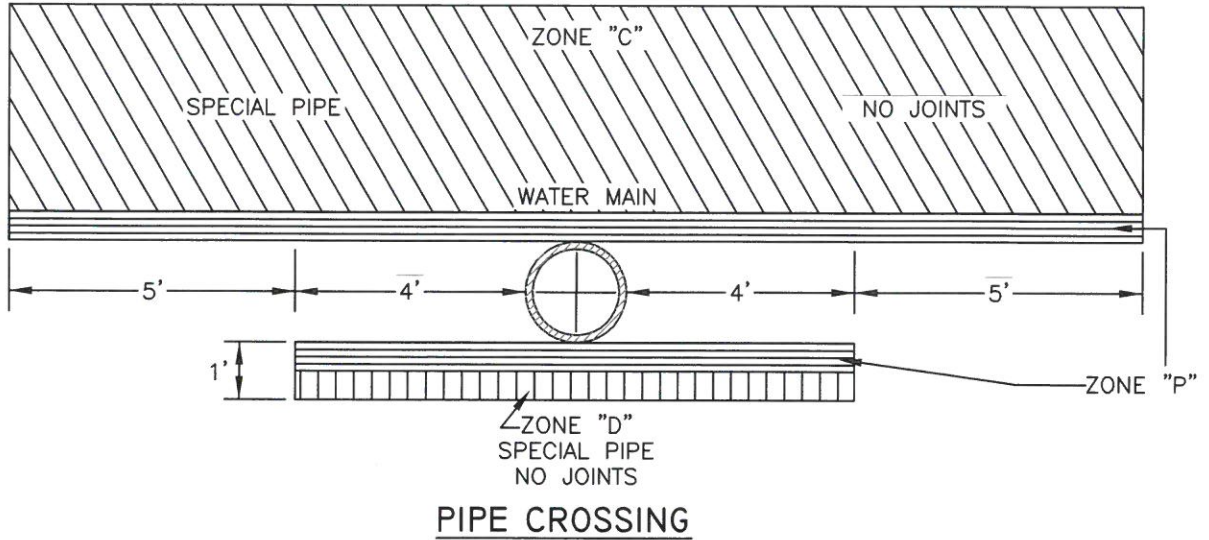
DRAWN BY: MJD DATE: 02/2016
 CHECKED BY: BO SCALE: NONE
 APPROVED: *Bruce Ott*
 PUBLIC WORKS DIRECTOR-ENGINEERING

**APPROVED METHODS
OF LAYING PIPE**

NO.
S-12

SHEET 2 OF 4

CRITERIA FOR SEPARATION OF WATER MAIN AND GRAVITY SANITARY SEWER



- ZONE "A": SEWER LINES NOT PERMITTED WITHOUT APPROVAL OF WATER AGENCY
- ZONE "B": PERMITTED MATERIALS
 - VC PIPE WITH COMPRESSION JOINTS
 - PVC PIPE WITH RUBBER RING JOINTS (ASTM 3034)
 - CI OR DI PIPE WITH COMP. JOINTS
 - RC PRESSURE PIPE WITH COMP. JOINTS
- ZONE "C": PERMITTED MATERIALS
 - DI PIPE WITH HOT DIP BITUMINOUS COATING AND MECHANICAL JOINTS
 - C-900 PVC (DR-14) CONTINUOUS SECTION CENTERED OVER PIPE BEING CROSSED
 - RC PRESSURE PIPE CONTINUOUS SECTION CENTERED OVER PIPE BEING CROSSED
 - ANY ACCEPTED SEWER PIPE WITHIN A SLEEVE
- ZONE "P": NOT PERMITTED

NOTE:
 CALIFORNIA DEPARTMENT OF HEALTH SERVICES GUIDANCE MEMO NO. 2003-02 REMAINS SOVEREIGN OVER THIS DETAIL.

REVISION	BY	DATE	APP. BY COUNCIL

CITY OF CHICO

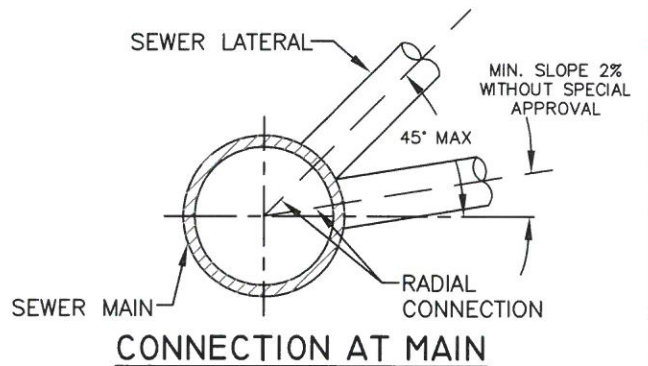
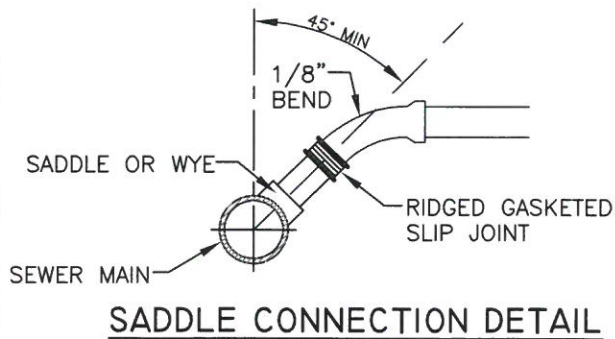
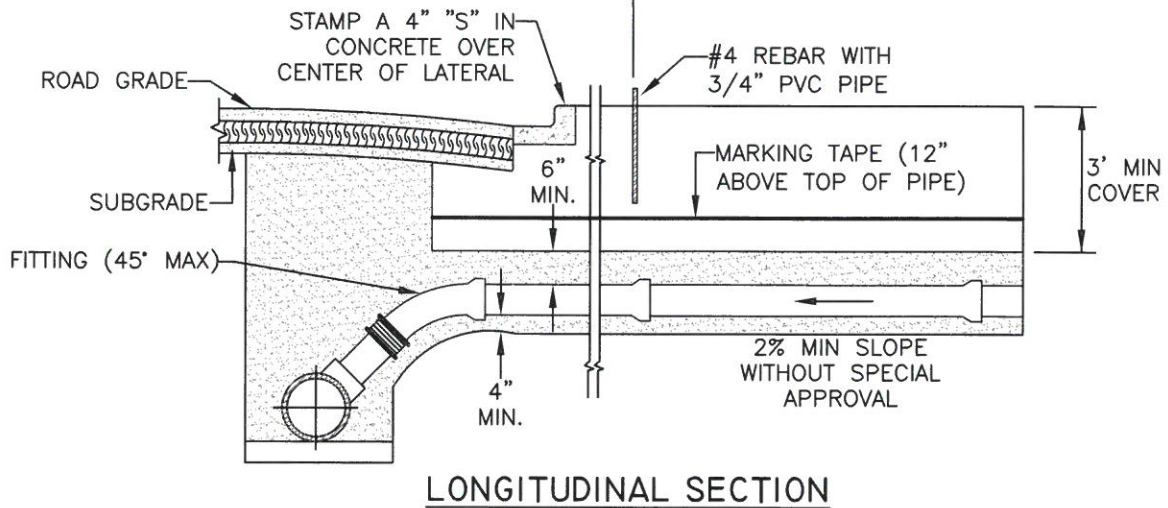
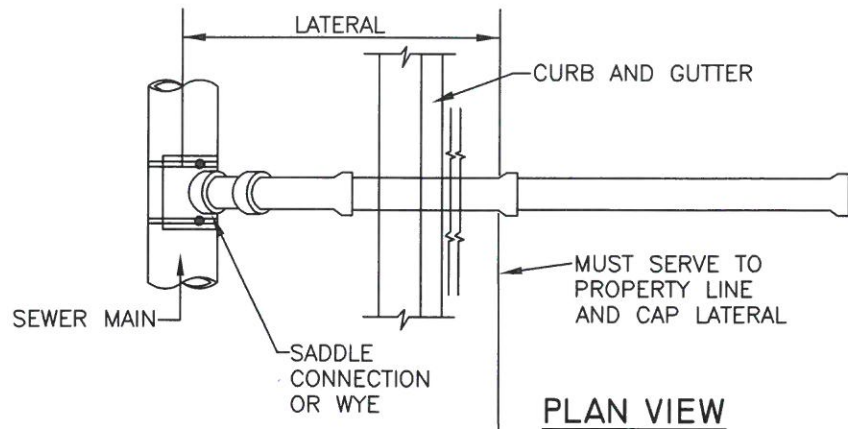
STANDARD PLAN

DRAWN BY: MJD DATE: 02/2016
 CHECKED BY: BO SCALE: NONE
 APPROVED: *Be Ott*
 PUBLIC WORKS DIRECTOR-ENGINEERING

**APPROVED METHODS
 OF LAYING PIPE**

NO.
S-12

SHEET 3 OF 4



REVISION	BY	DATE	APP. BY COUNCIL

CITY OF CHICO

STANDARD PLAN

DRAWN BY: MJD DATE: 02/2016
 CHECKED BY: BO SCALE: NONE
 APPROVED: *Paul Otto*
 PUBLIC WORKS DIRECTOR-ENGINEERING

**APPROVED METHODS
OF LAYING PIPE**

NO.
S-12

SHEET 4 OF 4