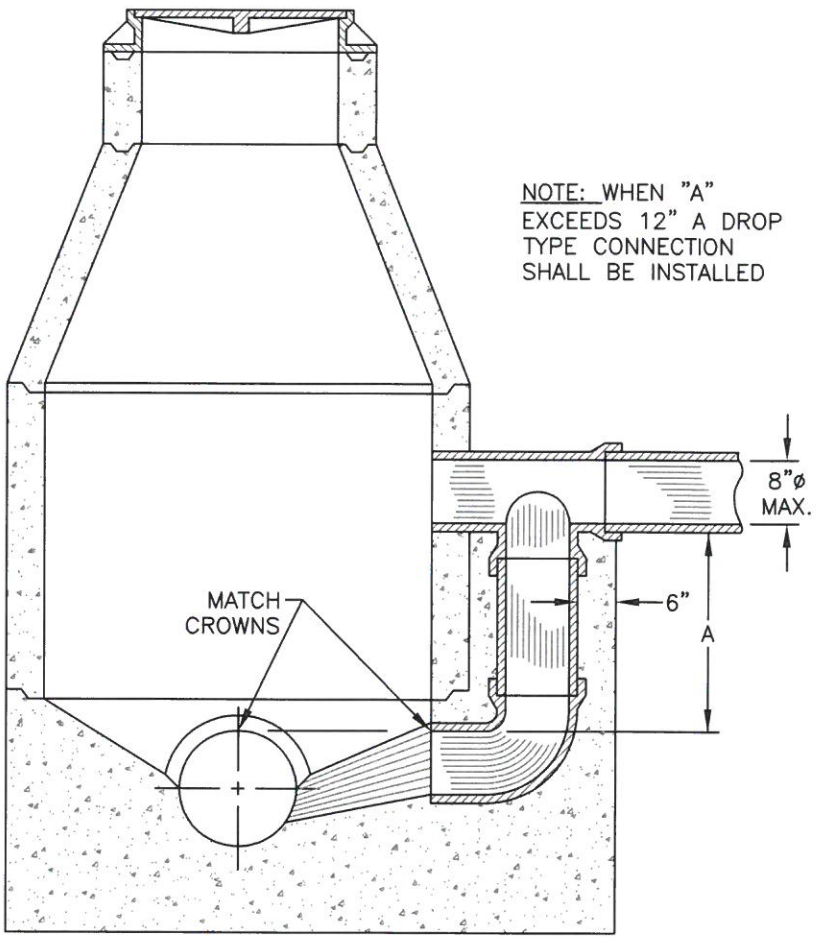


NOTE: FOR STANDARD  
MANHOLE DIMENSIONS SEE  
STANDARD NO. S-10.  
DROP CONNECTION TO BE  
USED ONLY FOR LINES OF  
8"Ø OR LESS

CLASS B CONCRETE  
POURED AGAINST  
UNDISTURBED EARTH



SECTION A-A

NOTE: WHEN "A"  
EXCEEDS 12" A DROP  
TYPE CONNECTION  
SHALL BE INSTALLED

REVISION	BY	DATE	APP. BY COUNCIL

**CITY OF CHICO**

**STANDARD PLAN**

DRAWN BY: GL DATE: 02/2016  
 CHECKED BY: BO SCALE: NONE  
 APPROVED: [Signature]  
 PUBLIC WORKS DIRECTOR-ENGINEERING

**DROP MANHOLE**

NO.  
**S-II**

SHEET 1 OF 1