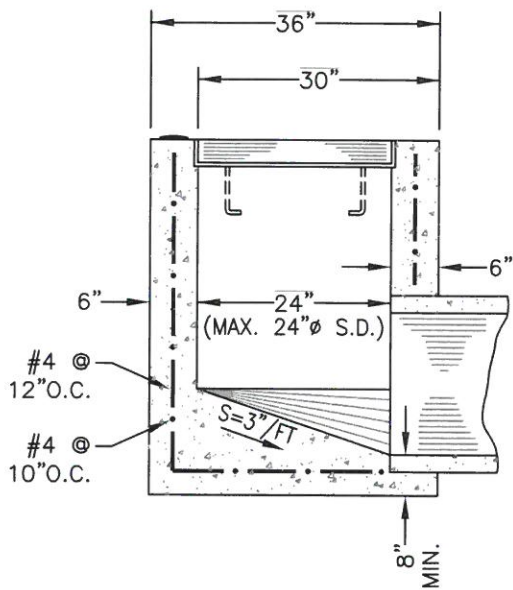
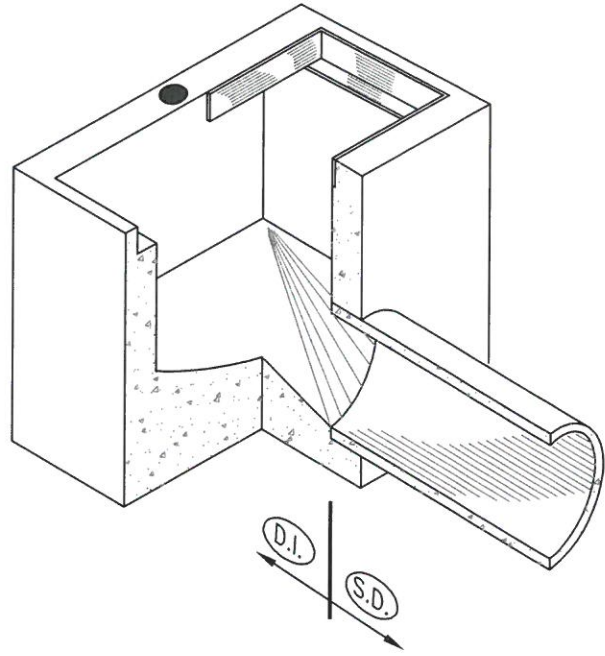
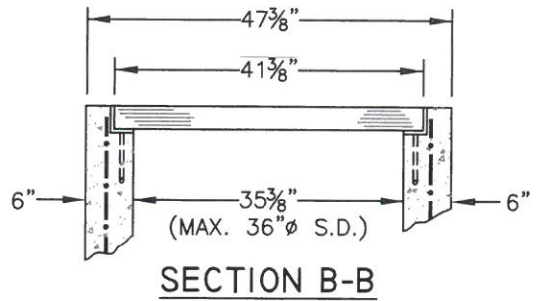


**PLAN**

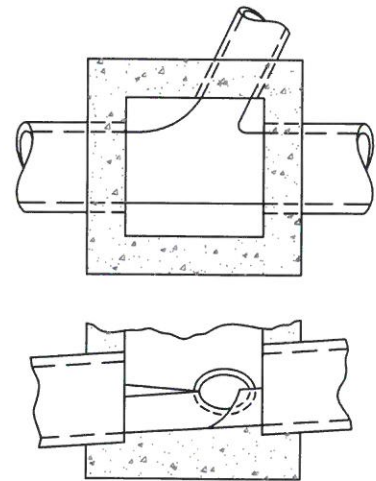


**SECTION A-A**

(D.I.) = QUANTITY PAYMENT LIMITS FOR CITY CONTRACTS

**NOTES:**

1. WALL THICKNESS SHALL BE 8" WHEN DEPTH OF D.I. IS GREATER THAN 8'.
2. PIPES CAN BE PLACED IN ANY WALL.
3. SEE STANDARD S-7 FOR FRAME AND GRATE DETAILS.
4. CAST-IN-PLACE OR PRECAST ALTERNATIVE IS OPTIONAL WITH CONTRACTOR; SEE STANDARD SPECS.
5. THIS DROP INLET SHALL BE USED FOR PUBIC STORM DRAINS IN ALLEYS AND EASEMENTS.



NOTE: USE WHEN MORE THAN ONE PIPE CONNECTS TO THE D.I.

REVISION	BY	DATE	APP. BY

**CITY OF CHICO**

**STANDARD PLAN**

DRAWN BY: GL DATE: 02/2016  
 CHECKED BY: BO SCALE: NONE  
 APPROVED: [Signature]  
 PUBLIC WORKS DIRECTOR-ENGINEERING

**FLAT GRATE INLET  
(CAL - TRANS "G-1")**

NO. **S-7A**

SHEET 1 OF 1