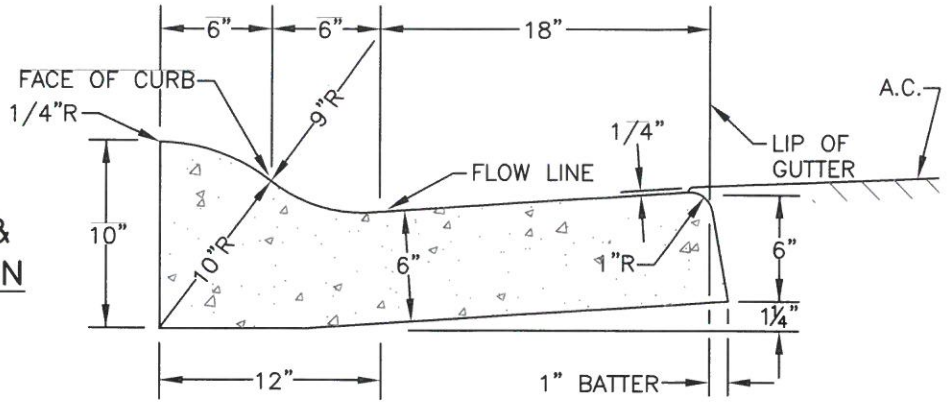
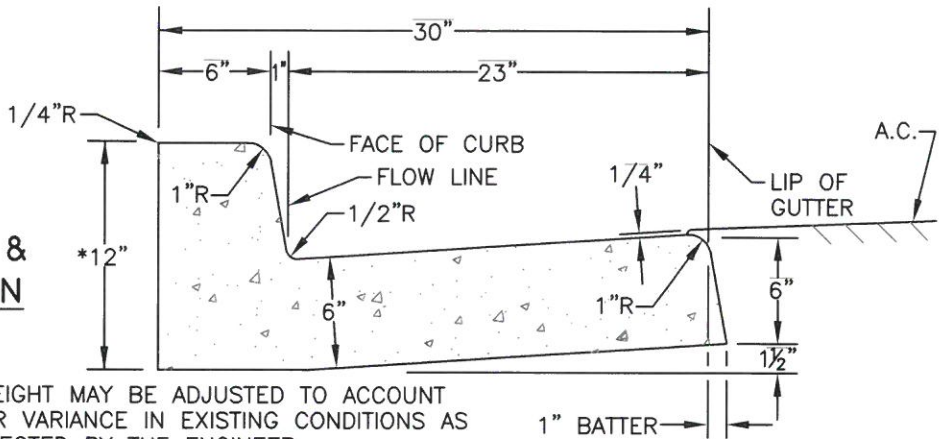


ROLLED CURB & GUTTER SECTION

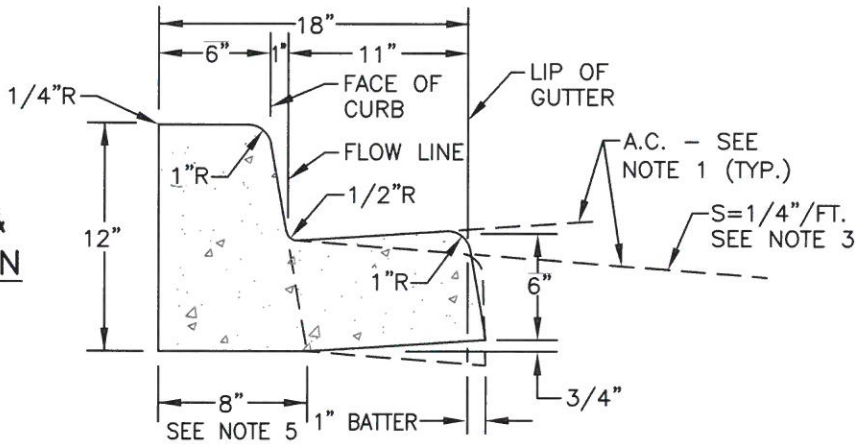


VERTICAL CURB & GUTTER SECTION



*HEIGHT MAY BE ADJUSTED TO ACCOUNT FOR VARIANCE IN EXISTING CONDITIONS AS DIRECTED BY THE ENGINEER

MEDIAN CURB & GUTTER SECTION



NOTES:

1. A.C. PAVING ADJACENT TO ALL GUTTERS SHALL BE 1/4" ABOVE THE LIP OF GUTTER.
2. INSTALL 1/4" WIDE EXPANSION JOINTS AT 48' MAX. INTERVALS AND 1/8" SCORED CONTROL JOINTS AT 12' MAX. INTERVALS ON ALL CURBS AND GUTTERS.
3. THE DIRECTION OF FALL OF MEDIAN GUTTER CROSS-SLOPES SHALL BE THE SAME AS THE ADJACENT STREET.
4. SEE STANDARD S-3 FOR DETAIL OF INSTALLATION OF GUTTER ADJACENT TO EXISTING A.C.
5. INSTALL MEDIAN CURB WITHOUT THE GUTTER, UNLESS SPECIFICALLY SHOWN ON IMPROVEMENT PLANS.
6. PLACE AGGREGATE BASE UNDER CURB AND GUTTER TO DEPTH OF STRUCTURAL SECTION. (2" MINIMUM THICKNESS)

REVISION	BY	DATE	APP. BY COUNCIL

CITY OF CHICO

STANDARD PLAN

DRAWN BY: GL DATE: 02/2016
 CHECKED BY: BO SCALE: NONE
 APPROVED: [Signature]
 PUBLIC WORKS DIRECTOR-ENGINEERING

P.C.C. CURB AND GUTTER

NO. **S-2**

SHEET 1 OF 1