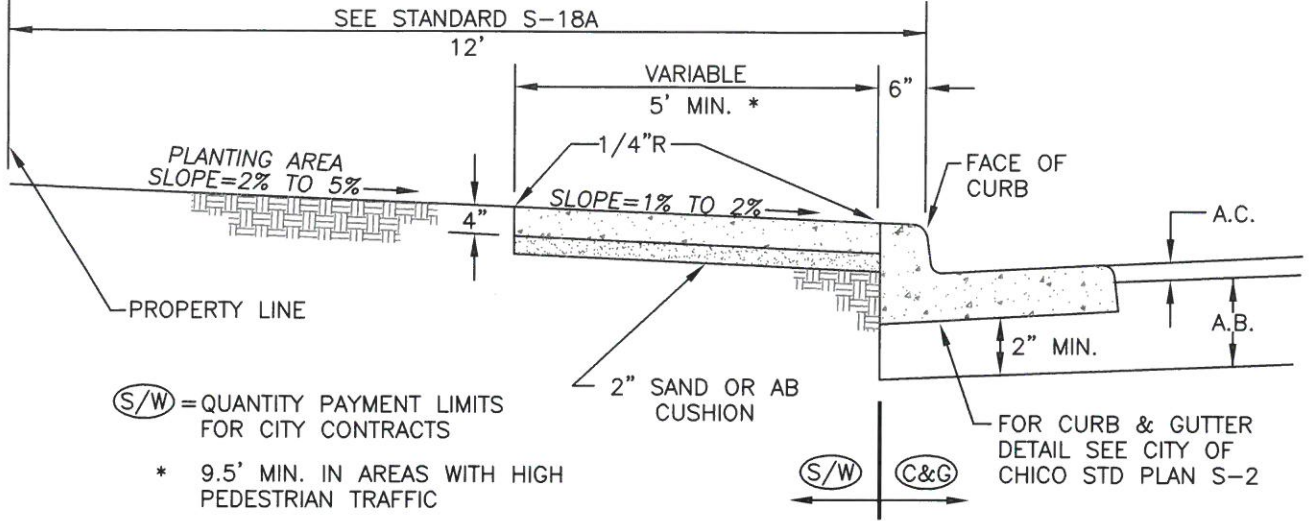
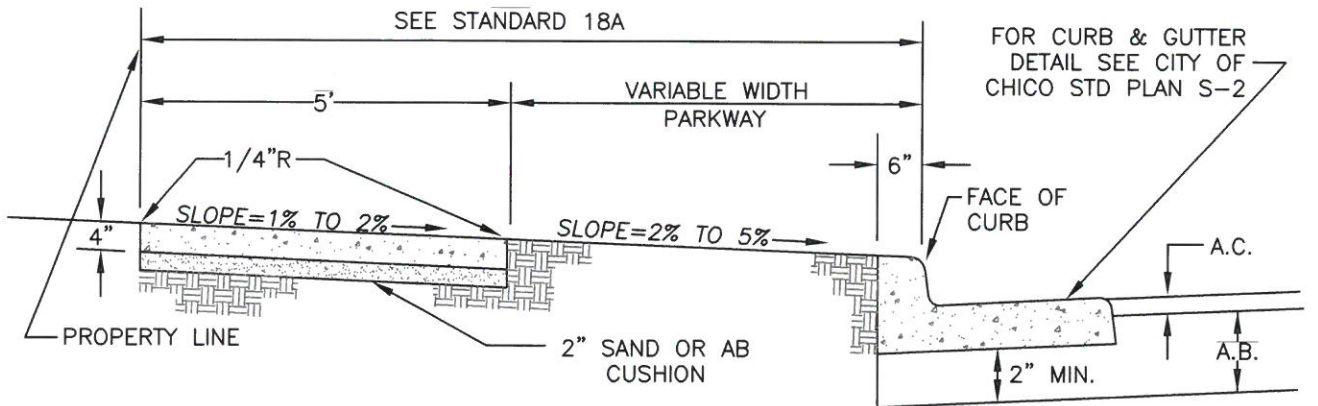


\*ALL SIDEWALKS MUST COMPLY WITH CURRENT FEDERAL ADA REQUIREMENTS



**CONTIGUOUS CURB, GUTTER & SIDEWALK**

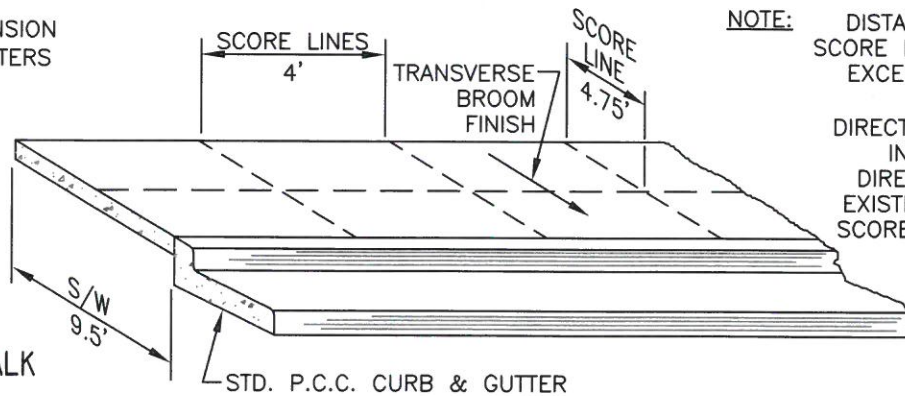
NOTE: IF AUTHORIZED, THIS SIDEWALK CONFIGURATION MAY BE USED IN EXISTING DEVELOPED AREAS TO MATCH AN ESTABLISHED SIDEWALK CONFIGURATION.



**SEPARATED CURB, GUTTER & SIDEWALK**

NOTE: THIS SIDEWALK CONFIGURATION SHALL BE USED IN CONJUNCTION WITH ALL NEW DEVELOPMENT AND/OR NEW CONSTRUCTION.

NOTE: INSTALL 1/4" EXPANSION JOINTS ON 48' CENTERS



**TYPICAL SIDEWALK SCORE LINES**

REVISION	BY	DATE	APP. BY	COUNCIL

**CITY OF CHICO**

**STANDARD PLAN**

DRAWN BY: GL DATE: 02/2016  
 CHECKED BY: BO SCALE: NONE  
 APPROVED: [Signature]  
 PUBLIC WORKS DIRECTOR-ENGINEERING

**P.C.C. SIDEWALK DETAILS**

NO. **S-1**

SHEET 1 OF 1