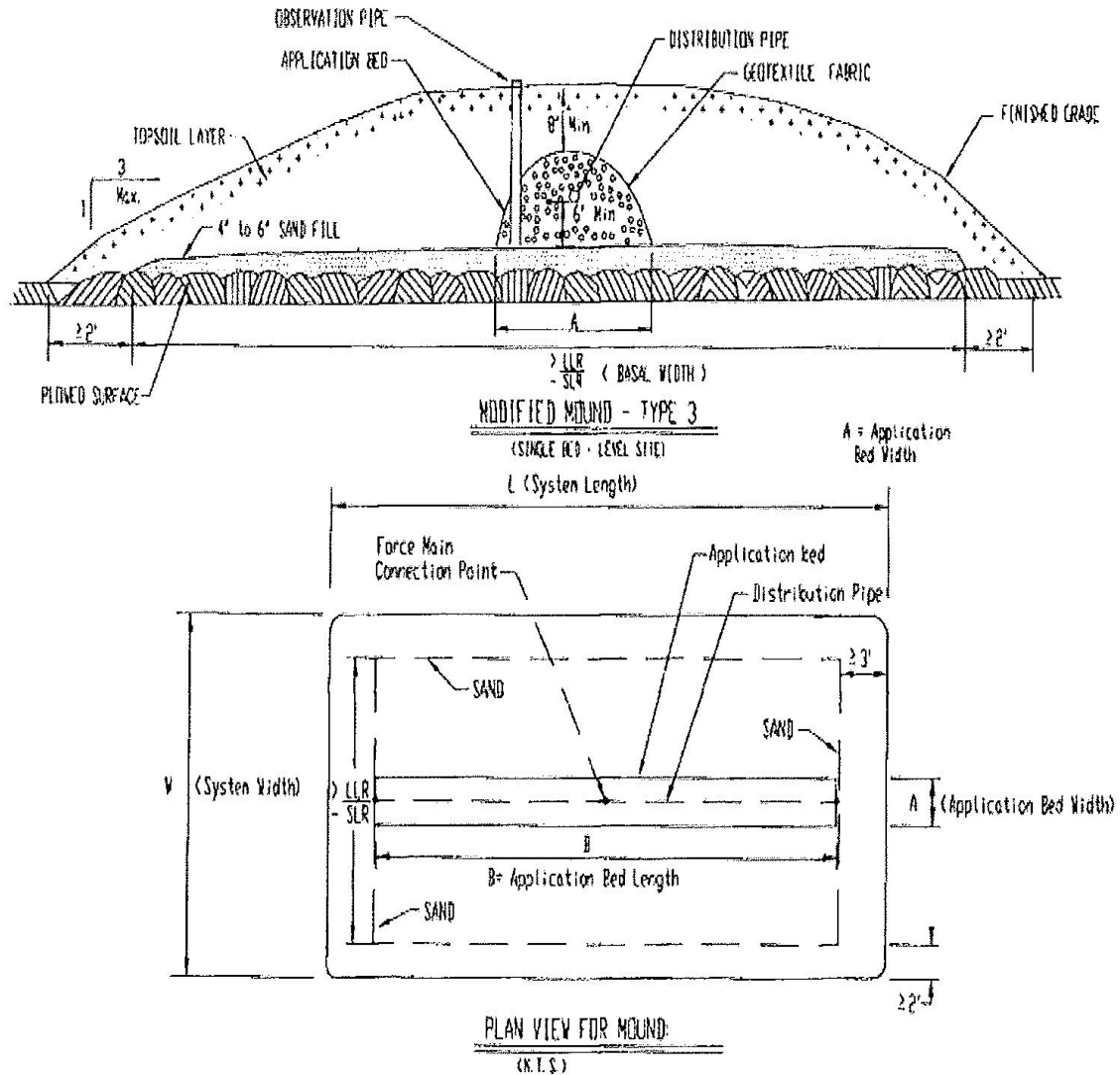


Illustration E.4: Type 3 - Modified Mound System: Single Bed, Level Site



* Observation pipes may be installed in the application bed.