

APPENDIX A: FIGURES

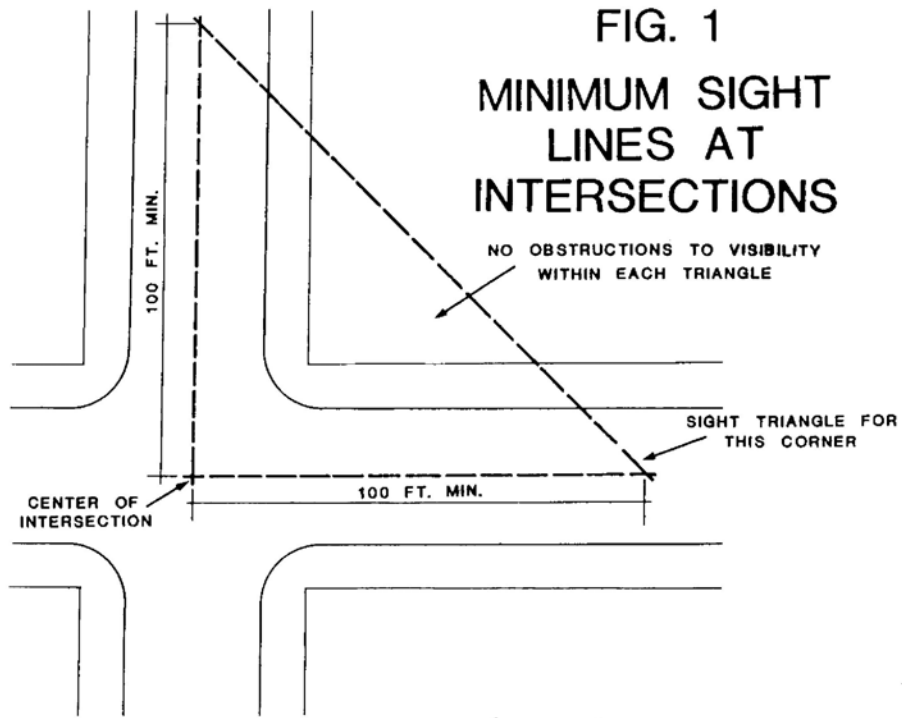
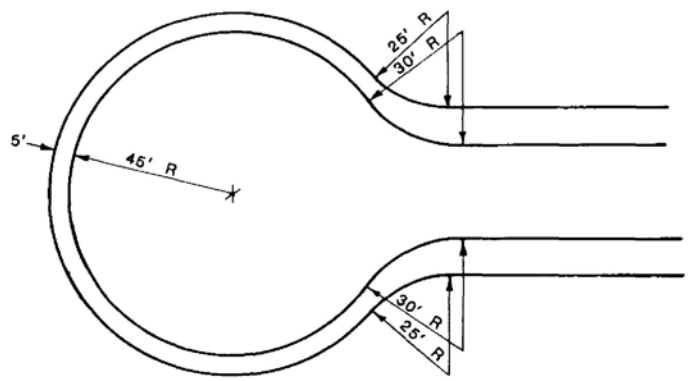
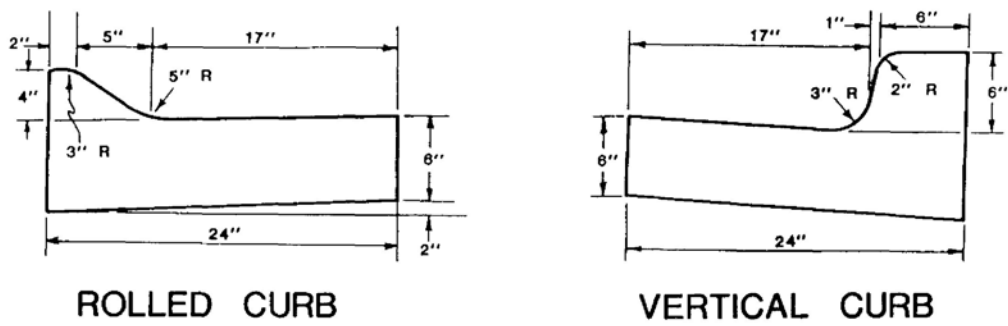


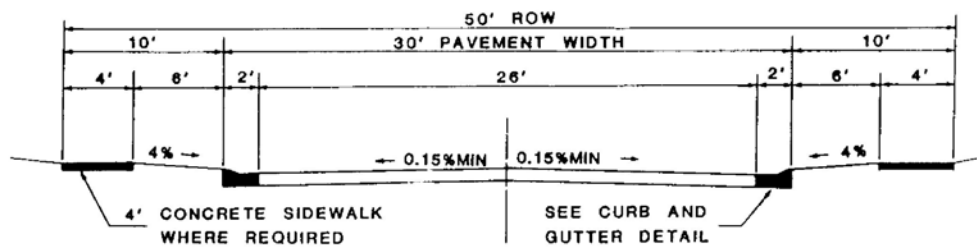
FIG. 3  
TYPICAL CURB AND GUTTER



TYPICAL CUL-DE-SAC

FIG.4

### TYPICAL SECTION LAND ACCESS STREET



### TYPICAL SECTION ALLEY

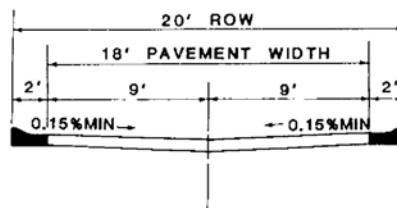
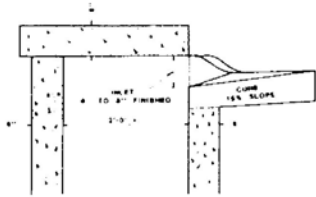
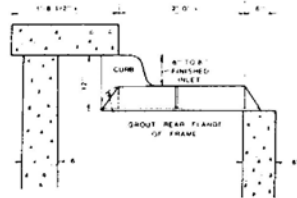
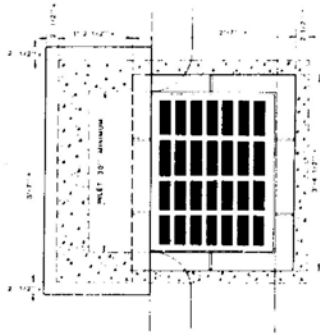
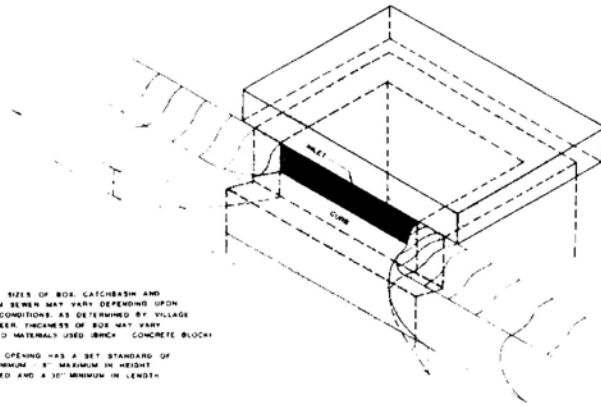


FIG. 5  
INLETS



NOTE: SIZE OF BOX, CATCHBASIN AND STORM SEWER MAY VARY DEPENDING UPON SITE CONDITIONS AS DETERMINED BY VILLAGE ENGINEER. THICKNESS OF BOX MAY VARY DUE TO MATERIALS USED (BRICK - CONCRETE BLOCK).

INLET OPENING HAS A SET STANDARD OF 8" MINIMUM - 9" MAXIMUM IN HEIGHT FINISHED AND A 30" MINIMUM IN LENGTH.



NOTE: SIZE OF BOX, CATCHBASIN AND STORM SEWER MAY VARY DEPENDING UPON SITE CONDITIONS AS DETERMINED BY VILLAGE ENGINEER. THICKNESS OF BOX MAY VARY DUE TO MATERIALS USED (BRICK - CONCRETE BLOCK).

INLET OPENING HAS A SET STANDARD OF 8" MINIMUM - 9" MAXIMUM IN HEIGHT FINISHED AND A 30" MINIMUM IN LENGTH.

