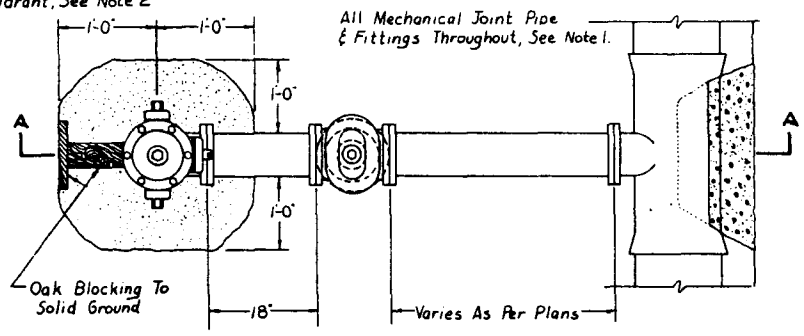


SECTION A-A  
NO SCALE

Oak Blocking To Solid Ground  
Solid Conc Block Or Conc Brick Pier Under Hydrant, See Note 2  
No. 57 Or No 8 Limestone Or Gravel Drain Pit.



PLAN  
NO SCALE

NOTES

1. In Special Cases, Construction Plans May Specify Anchored Joints. Clow Anchored Fittings F-1211 Or F-1215, Tyler Swivel Fittings 5-125 Thru 5-197, Or Approved Equal. Cost Of Anchored Fittings To Be Included In Price Bid For 6" Hydrants.
2. Concrete Block Shall Be A.S.T.M. C-139, Concrete Brick Shall Be A.S.T.M. C-55, Type II, Grades N-11 Or S-11.
3. All fire hydrants shall meet the following requirements:
  - A. Comply with AWWA Std. C-502.
  - B. Main valve opening 4 1/2".
  - C. Two drain valves for main valve.
  - D. Min. 3'-0" trench depth.
  - E. Have two 2 1/2" ID hose connections with National Std. Threads.
  - F. Have one 1" ID pump-nozzle connection with City of Elyria threads. Drawing furnished upon request.
  - G. Operating nut and cap nuts to be pentagonal.
  - H. Operation - OPEN counter clockwise.
4. ALL PIPE, FITTINGS AND HYDRANT BARREL SHALL BE POLYETHYLENE ENCASED PER STD. DWG 2-701

		CITY OF ELYRIA, OHIO ENGINEERING DEPARTMENT		
12/14/90	ADD COP 4	TYPICAL 6" HYDRANT & VALVE		
9/27/09	HYD. MODEL			
9/16/88	D.J. PART 1	DR. BY TJS	DATE 2-77	DRAWING 2-401
5/14/06	HYD. NO. 6 DETAILS	CK. BY <i>[Signature]</i>	DATE 7-18-77	
BY	DATE	<i>[Signature]</i> APPROVED CITY ENGINEER		SH. 1 OF 2
REVISIONS				