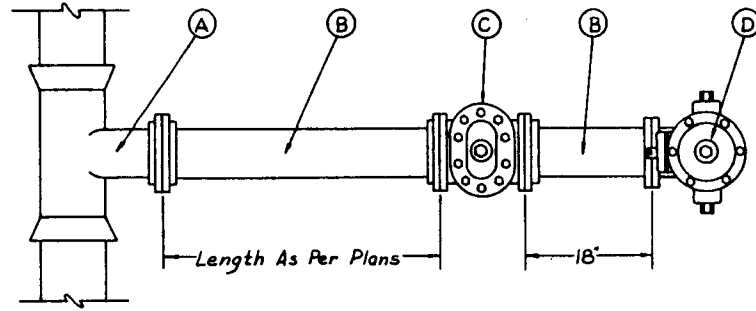
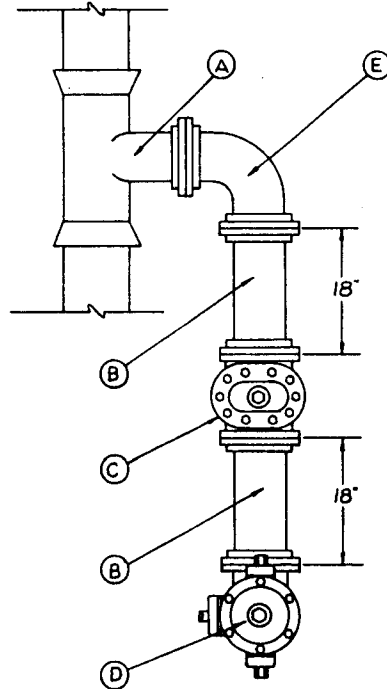


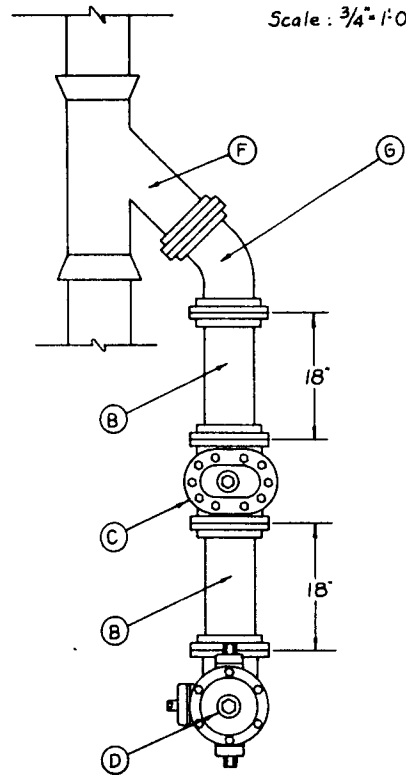
# KEY TO HYDRANT ITEMS



TYPE H-1



TYPE H-2



TYPE H-3

PAY ITEM	UNIT	DESCRIPTION
(A)	EA	6" Tee, Including Blocking As Per City Standard Drawing. If Main Is Concrete Pipe, Cost Of Tee To Be Included In Cost Of Watermain.
(B)	LF	6" CI Waterpipe, ANSI Thickness Class 25, Cement Lined.
(C)	EA	6" AWWA 150 PSI Flanged Gate Valve With 2" AWWA Operating Nut, Opening To Right, Complete With Box And Lid As Per Sheet 1.
(D)	EA	Fire Hydrant shall be Complete As Shown On Sh.1, Including Extension If Necessary, Blocking, Pier And Drain Pit. Shall Also Include Cost Of Anchored Joints If Specified On Plans.
(E)	EA	6" x 90° CI Bend, AWWA C-110 & C-111, 250 PSI, Cement Lined, Including Blocking As Per City Standard Drawing.
(F)	EA	6" Wye, Including Blocking As Per City Standard Drawing. If Main Is Concrete Pipe, Cost Of Wye To Be Included In Cost Of Watermain.
(G)	EA	6" x 45° CI Bend, AWWA C-110 & C-111, 250 PSI, Cement Lined, Including Blocking As Per City Standard Drawing.

8W

CITY OF ELYRIA, OHIO ENGINEERING DEPARTMENT	
PAY ITEMS FOR HYDRANTS	
DR. BY <u>TJS</u>	DATE <u>2-77</u>
CK. BY <u>[Signature]</u>	DATE <u>2-77</u>
BY <u>[Signature]</u>	DATE
REVISIONS	APPROVED CITY ENGINEER


DRAWING  
2-402  
SH. 2 OF 2