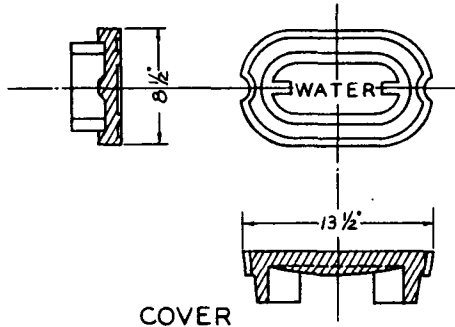
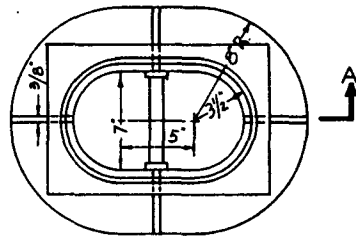


SECTION A-A

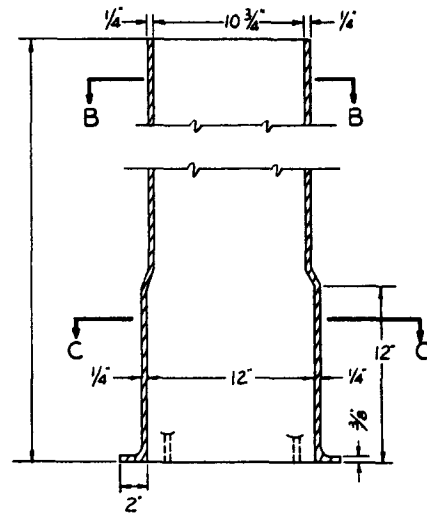


COVER

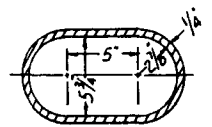


PLAN

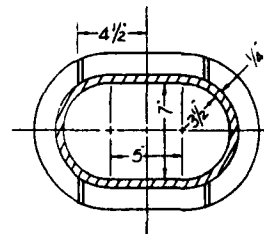
TOP



PROFILE SECTION

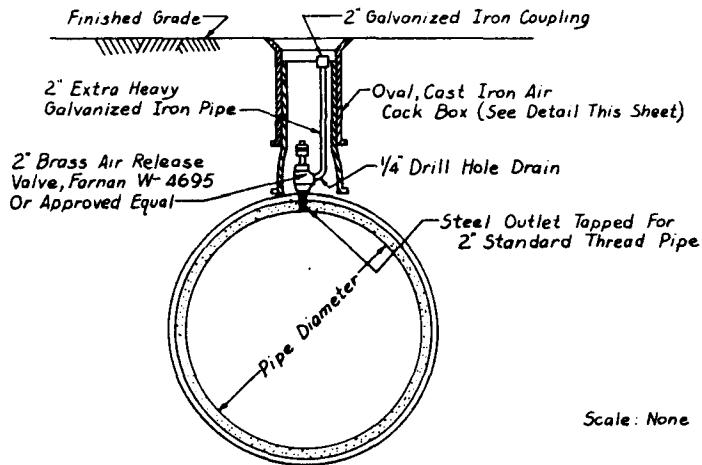


SECTION B-B



SECTION C-C

BOTTOM



Scale: None

8Z-3

CITY OF ELYRIA OHIO ENGINEERING DEPARTMENT	
2" AIR RELEASE VALVE & BOX	
DR. BY TJS	DATE 2-77
CK. BY R.S.B.	DATE 7-12-77
BY	DATE
REVISIONS	
APPROVED CITY ENGINEER <i>Lenny S. Skippy</i>	
DRAWING 2-901	