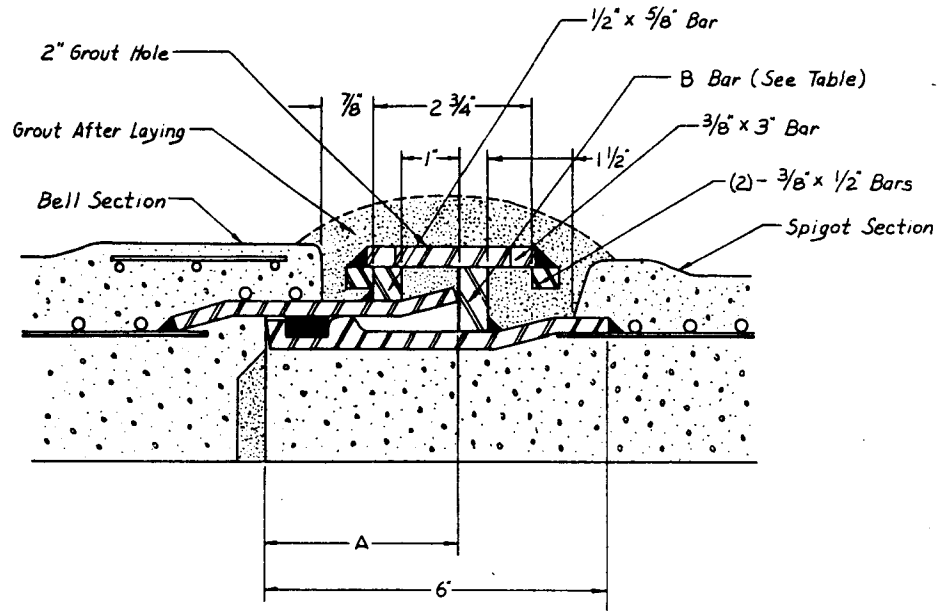
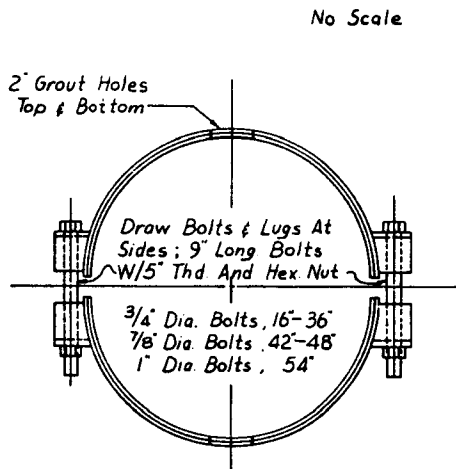


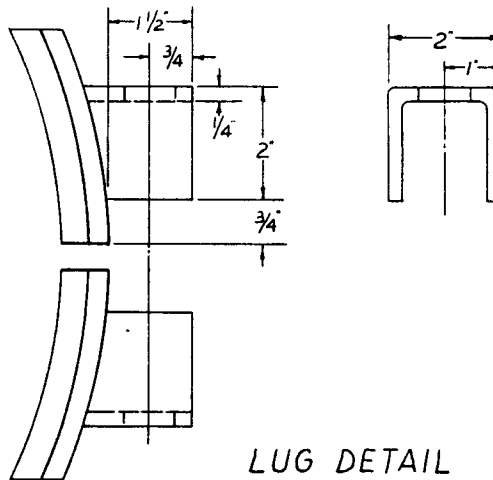
8Z-4



TIED JOINT FOR CONCRETE WATERMAIN



END VIEW OF HARNESSED RING



LUG DETAIL

CITY OF ELYRIA, OHIO
ENGINEERING DEPARTMENT

TIED JOINT

DR. BY TJS DATE 2-77 DRAWING

CK. BY *ad* DATE 2-77

BY DATE

Henry A. Sking

2-902

REVISIONS

APPROVED CITY ENGINEER

SH. 1 OF 2