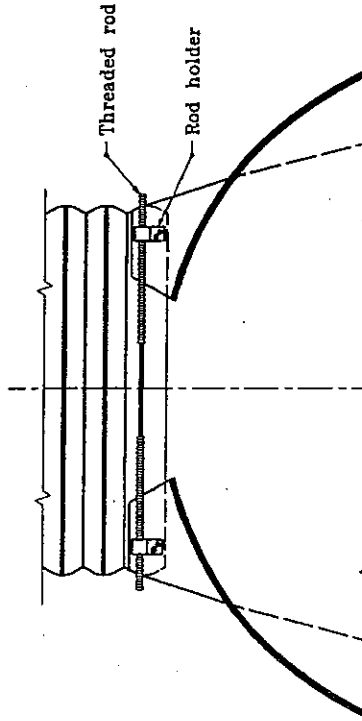
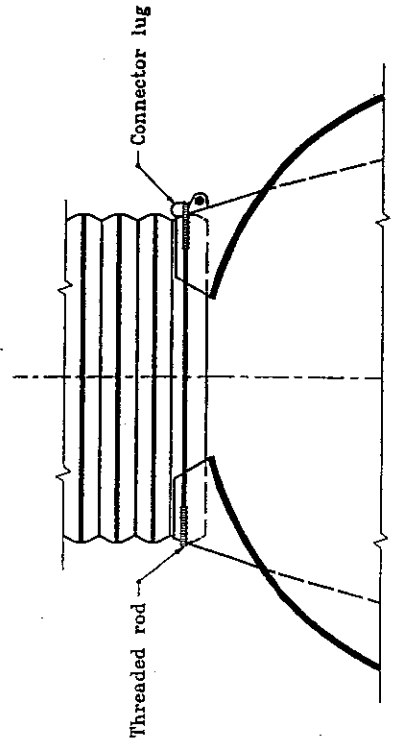


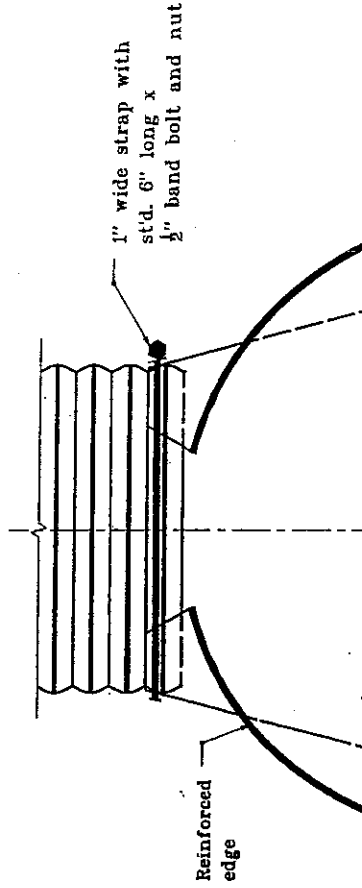
TYPE 1
FOR 17" x 13" THROUGH 42" x 29" ONLY



TYPE 4
FOR 30" THROUGH 36" ONLY



TYPE 3
FOR 12" THROUGH 24" ONLY



ALTERNATE TYPE 3
FOR 12" THROUGH 24" ONLY

1" wide strap with
std. 6" long x
1/2" band bolt and nut

Reinforced
edge

INDIANA DEPARTMENT OF TRANSPORTATION	
METAL PIPE	
END SECTION CONNECTIONS	
JANUARY 1998	
STANDARD DRAWING NO. E 715-MPES-03	
DETAILS PLACED IN THE FORMAT 7-27-99	
/s/ Anthony L. Uremovich 7-27-99 DESIGN STANDARD ENGINEER DATE	
/s/ Kinross Zetardi 7-27-99 CHIEF HIGHWAY ENGINEER DATE ORIGINALLY APPROVED 1-02-98	