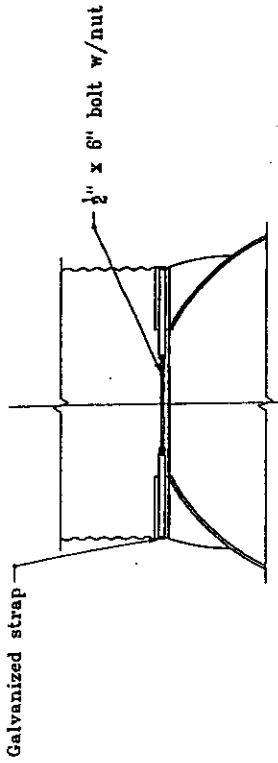
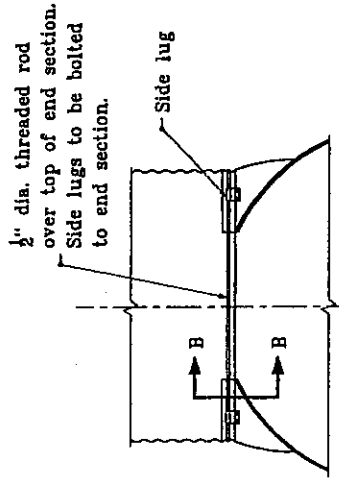


**GENERAL NOTES**

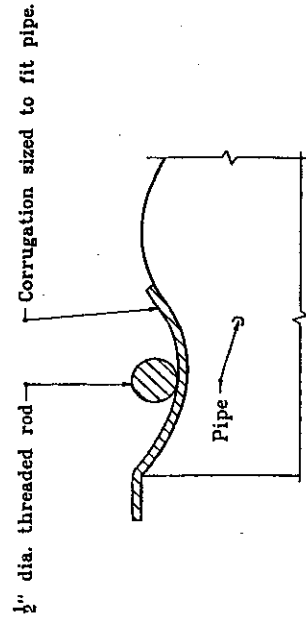
1. For circular pipe diameters through 24", attach end section to pipe with type 1 connector. For all other sizes, attach end section to pipe with type 2 connector.



**TYPE 1 CONNECTOR DETAIL**  
Through 24" dia.



**TYPE 2 CONNECTOR DETAIL**  
For all circular pipes larger than 24"  
and all pipe-arches



**SECTION B-B**

INDIANA DEPARTMENT OF TRANSPORTATION  
**SAFETY METAL CULVERT END  
SECTIONS FOR CORRUGATED PIPE**

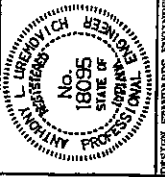
JANUARY 1998

STANDARD DRAWING NO.E 715-SMES-03

DETAILS PLACED IN THIS FORMAT 7-27-98

1/2 Anthony L. Urazovich 7-27-98  
DESIGN STANDARDS ENGINEER DATE

1/3 Fyodor Zaitsev 7-27-98  
CHIEF HIGHWAY ENGINEER DATE  
ORIGINALLY APPROVED 1-02-98



DESIGN STANDARDS ENGINEER