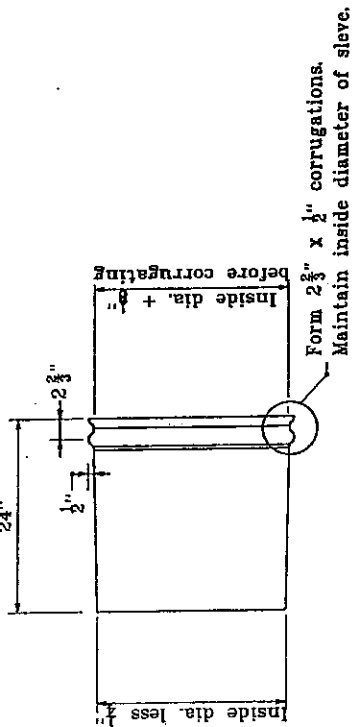
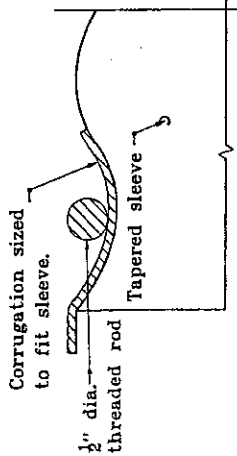


GENERAL NOTES

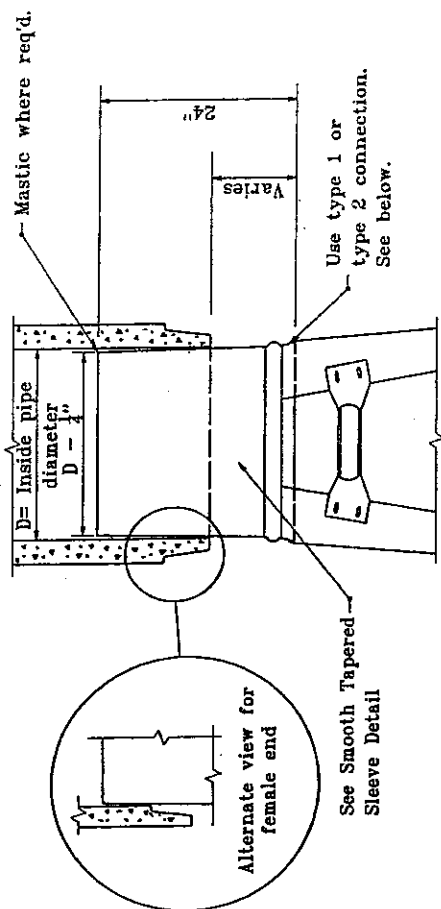
1. For circular pipe diameters through 24", attach end section to pipe with type 1 connector. For all other sizes, attach end section to pipe with type 2 connector.



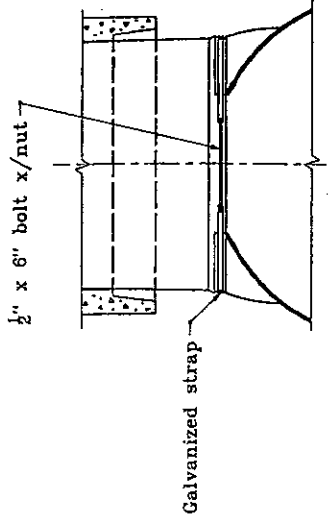
SMOOTH TAPERED SLEEVE DETAIL



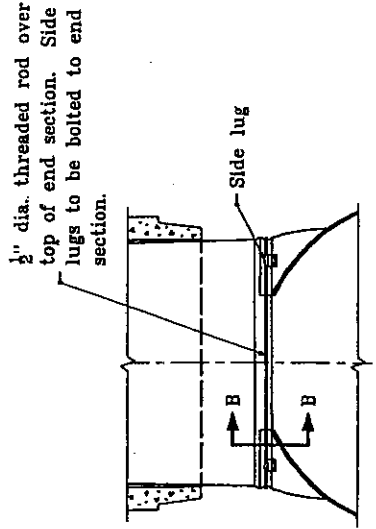
SECTION B-B



TAPERED SLEEVE FOR ATTACHING STEEL END SECTION TO SMOOTH INTERIOR PIPE



TYPE 1 CONNECTOR DETAIL
for all circular pipes through 24"



TYPE 2 CONNECTOR DETAIL
all circular pipes larger than 24" and all horizontal elliptical pipes

INDIANA DEPARTMENT OF TRANSPORTATION
SAFETY METAL CULVERT END SECTIONS FOR SMOOTH PIPE
JANUARY 1938
STANDARD DRAWING NO. E 715-SMES-08
DETAILS PLACED IN THIS FORMAT 7-27-59

ANTHONY L. DRENNICH
REGISTERED PROFESSIONAL ENGINEER
No. 18095
STATE OF INDIANA
DATE 7-27-59
DESIGN STANDARD ENGINEER

W. P. Woods, Zetald
CHIEF HIGHWAY ENGINEER
DATE 7-27-59
ORIGINALLY APPROVED 1-02-36