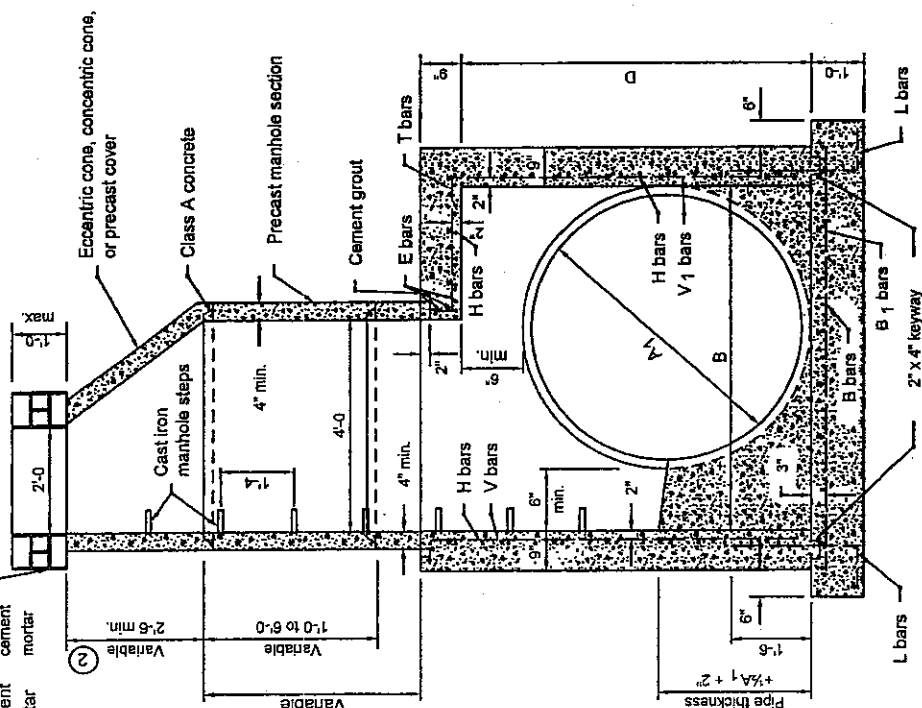


MANHOLE DIMENSIONS		B AND D
TYPE	A-1 PIPE SIZE DIA. (in)	
D	27 to 42	4'-9"
E	48 to 60	6'-6"
F	66 to 84	8'-10"
G	90 to 108	11'-2"

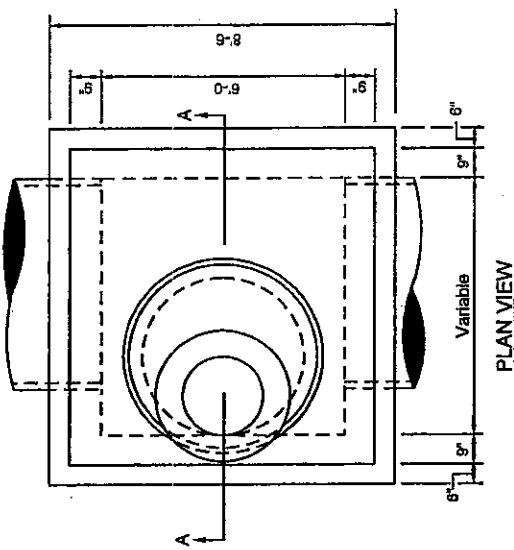
$\frac{1}{2}$ " cement mortar
 $\frac{1}{2}$ " cement mortar
 $\frac{1}{2}$ " cement mortar
 $\frac{1}{2}$ " cement mortar
 $\frac{1}{2}$ " cement mortar
 Variable
 2'-6 min.
 Variable
 4'-0
 4" min.
 4" min.
 Variable
 1'-0 to 6'-0
 Variable
 2'-0
 Max.



SECTION A-A

NOTES

- Manhole type H, J, K, L, M, or N, may be substituted for manhole type C, D, E, or F for comparable pipe sizes. See Standard Drawing E 720-MHST-05 for manholes type H, J, K, L, M, and N details.
- For eccentric and concentric cone heights see Cone Heights Table on Standard Drawing 720-MHST-08.
- See Standard Drawing 720-MHST-10 for Reinforcing Steel for Manholes table.



PLAN VIEW

INDIANA DEPARTMENT OF TRANSPORTATION
MANHOLES
 TYPE D, E, F, AND G
 SEPTEMBER 2003
 STANDARD DRAWING NO. E 720-MHST-04

/s/ Richard L. VanChone
 DESIGN STANDARDS ENGINEER
 DATE 9-02-03

/s/ Richard K. Smulzer
 CHIEF HIGHWAY ENGINEER
 DATE 9-02-03

RICHARD L. VANCHONE
 ENGINEER
 NO. 9750
 STATE OF INDIANA
 PROFESSIONAL SEAL