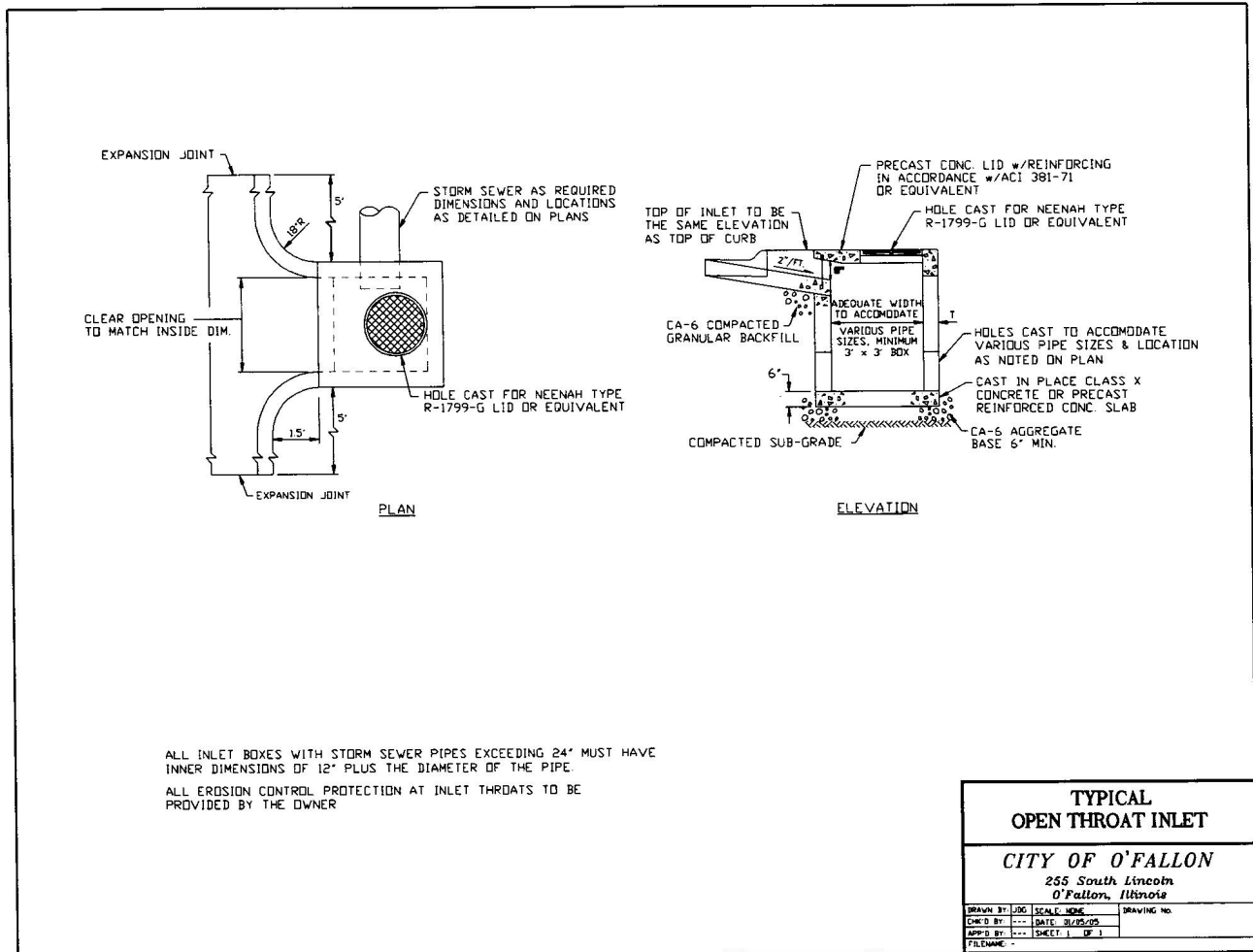
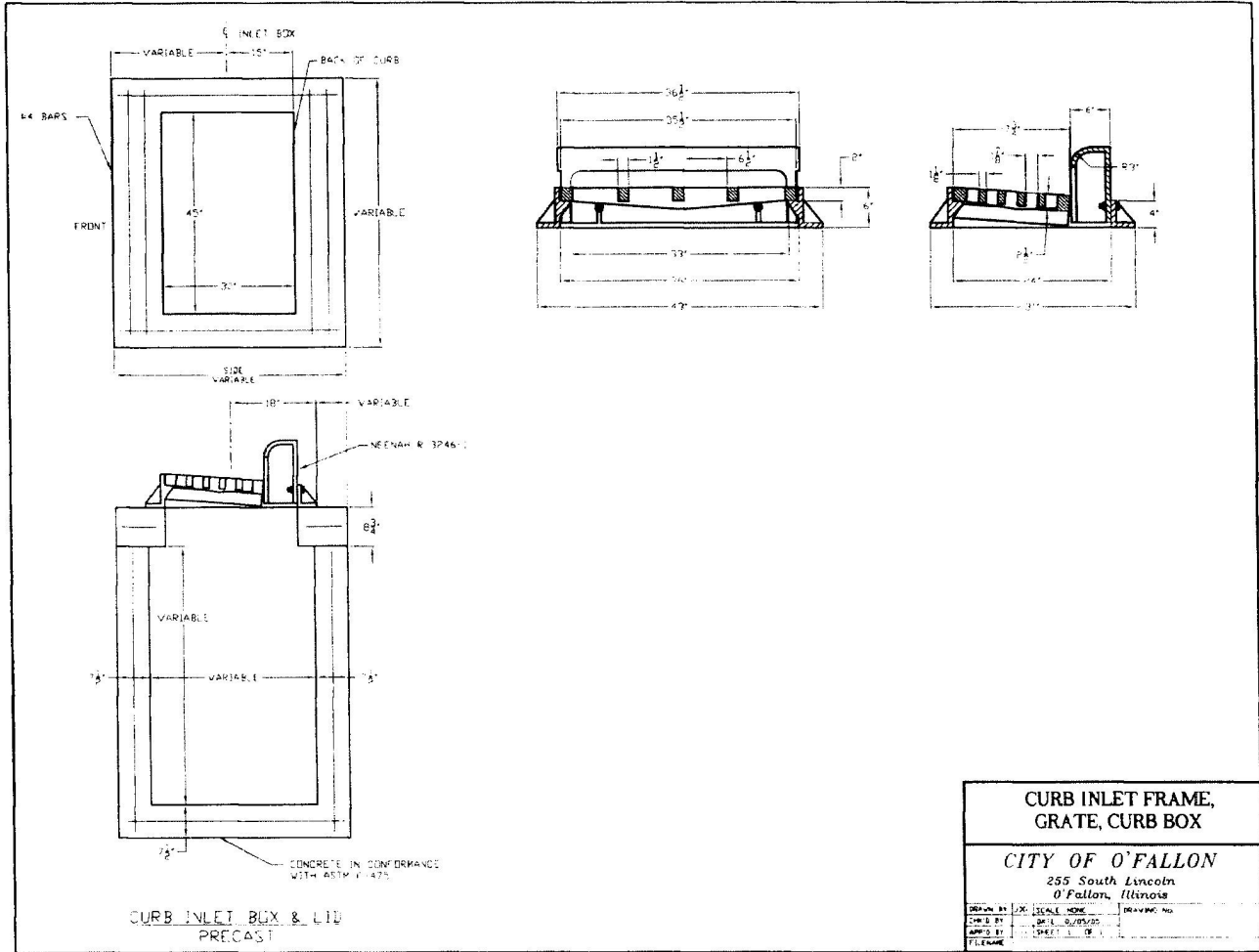


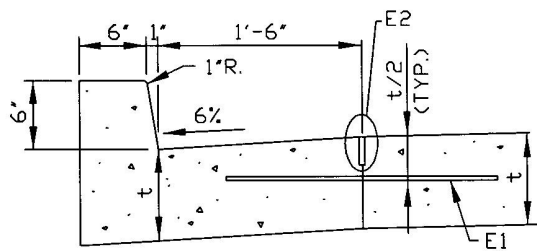
APPENDIX B: STORM INLET AND STREET CROSS-SECTIONS



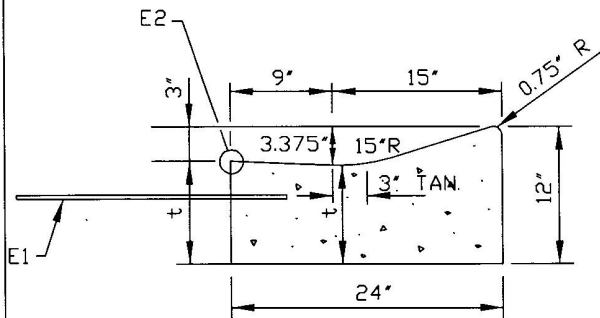
ALL INLET BOXES WITH STORM SEWER PIPES EXCEEDING 24" MUST HAVE INNER DIMENSIONS OF 12" PLUS THE DIAMETER OF THE PIPE.
 ALL EROSION CONTROL PROTECTION AT INLET THROATS TO BE PROVIDED BY THE OWNER

TYPICAL OPEN THROAT INLET			
CITY OF O'FALLON			
255 South Lincoln O'Fallon, Illinois			
DRAWN BY: JDC	SCALE: NONE	DRAWING NO.	
CHECKED BY: ---	DATE: 01/25/2005		
APPROVED BY: ---	SHEET: 1 OF 1		
FILENAME: ---			





**B-6.18 TYPE
BARRIER CURB & GUTTER**



MOUNTABLE CURB

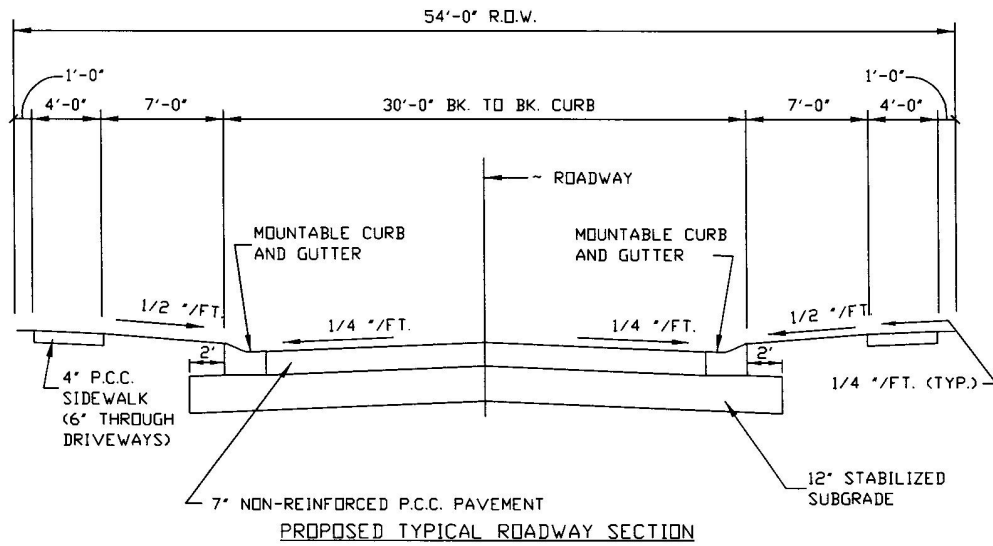
E1 = NO. 6 TIE BARS, 24" LONG AT 24" CTS. PER IDOT STD. 606001 (NO. 6 BARS SHALL NOT BE BENT), OR NO. 5 BARS, 24", AT 15" CTS. (NO. 5 BARS MAY BE BENT) OMIT BARS FOR FLEXIBLE PAVEMENT

E2 = 1/8" MIN. WIDE SAWCUT
t/3 DEEP
FILL WITH HOT Poured JOINT SEALANT PER 1050.02 OF STD. SPECS., OR APPROVED EQUAL.
IF CURB IS Poured SEPARATE FROM ADJOINING LANE, SAWCUT AND SEALANT NOT REQUIRED BUT EDGER MUST BE USED.

t = 8" (MIN.) ADJACENT TO BITUM. PAVEMENT. 8" OR MATCH CONCRETE PAVEMENT THICKNESS WHICHEVER IS GREATER

CURB, WHEN Poured SEPARATELY, SHALL BE CLASS "SI" CONCRETE

**STANDARD CURB DETAILS
O'FALLON, ILLINOIS**



ALTERNATIVE ASPHALT PAVEMENT:

- 2" BITUMINOUS CONCRETE SURFACE, CLASS I, MIX C, TYPE 2
- 5" BITUMINOUS CONCRETE BINDER, CLASS I, TYPE 2
- 12" STABILIZED SUBGRADE

(SEE SUBDIVISION ORDINANCES FOR STREET CLASSIFICATION AND DIMENSIONS. THESE ARE MINIMUM REQUIREMENTS. THE CITY OF O'FALLON RESERVES THE RIGHT TO HAVE DEVELOPER/ENGINEER USE HIGHER TYPE DESIGNS AS DEEMED NECESSARY BY THE CITY.)

RESIDENTIAL MINOR AND LOCAL STREETS

- OPEN ACCESS
- YIELD FLOW CONDITIONS
- PARKING-BOTH SIDES
- O'FALLON, ILLINOIS

