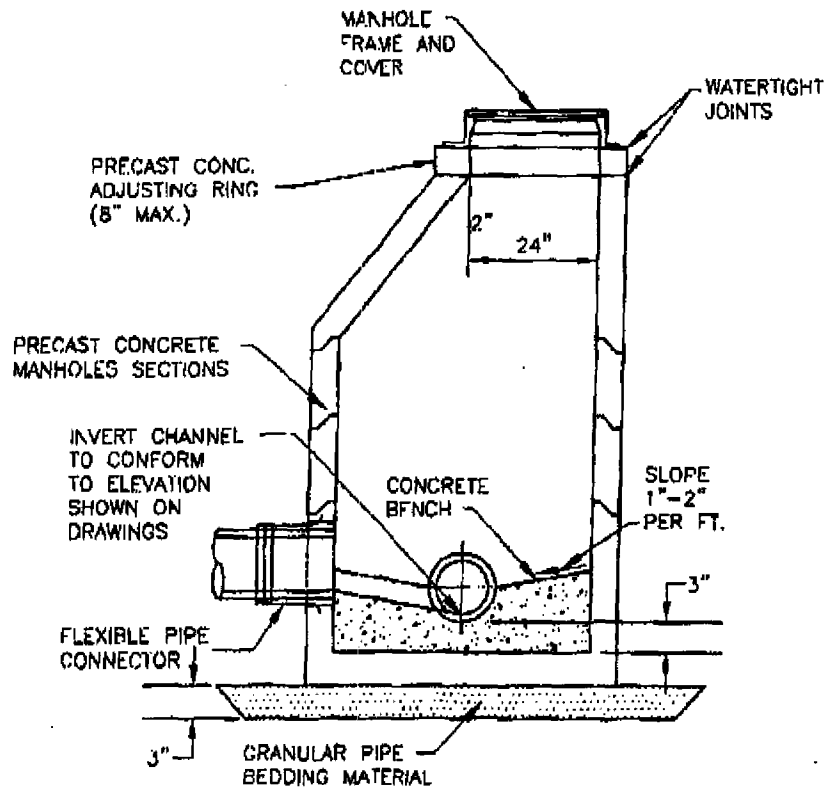


APPENDIX D: STORM MANHOLE DETAIL



NOTE:

1. ECCENTRIC CONES REQUIRED, UNLESS OTHERWISE INDICATED ON DRAWINGS. FLAT SLAB TOPS PERMITTED ONLY FOR MANHOLES TOO SHALLOW FOR CONES.
2. USE 4'-0" DIAMETER FOR SEWER SIZES 8" THRU 21", 5'-0" DIAMETER FOR SEWER SIZES 24" THRU 33" UNLESS OTHERWISE NOTED.

STORM MANHOLE DETAIL