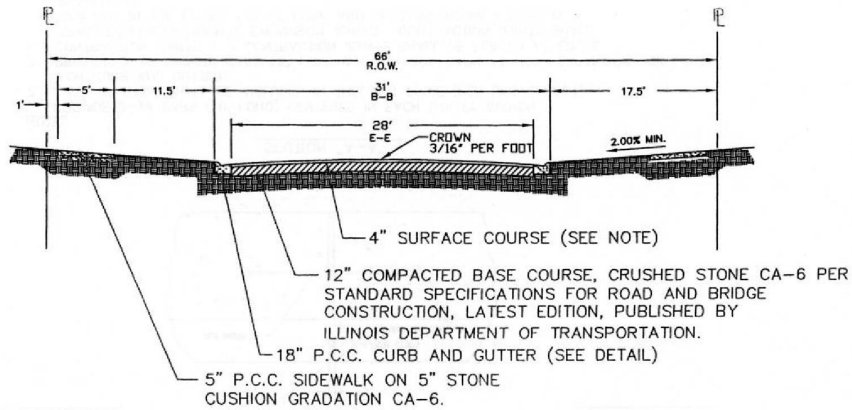


## APPENDIX A: TYPICAL ROAD CROSS SECTIONS



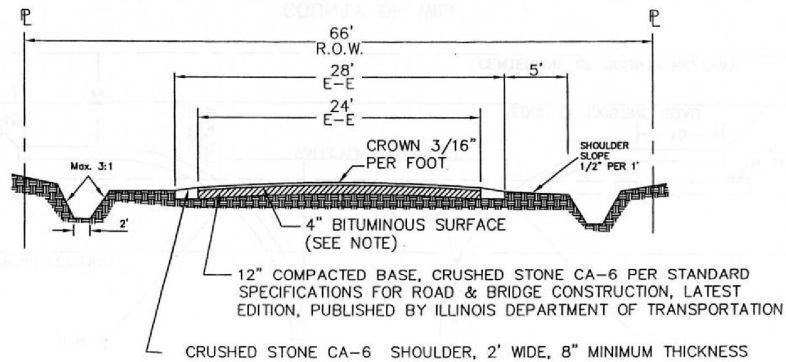
### SURFACE COURSE

SURFACE COURSE SHALL CONSIST OF CONCRETE BINDER COURSE CLASS I - 2 1/2" COMPACTED THICKNESS AND BITUMINOUS CONCRETE SURFACE COURSE CLASS I - 1 1/2" MINIMUM COMPACTED THICKNESS.

### BASE COURSE

BASE COURSE SHALL BE 12" AGGREGATE BASE COURSE TYPE "B" IN ACCORDANCE WITH STATE SPECIFICATIONS. BASE SHALL BE CONSTRUCTED ON A COMPACTED, PREPARED AND ROLLED SUBGRADE. BASE SHALL BE PRIMED WITH MC-30 PRIOR TO PAVING.

### TYPICAL URBAN STREET CROSS SECTION



### BITUMINOUS SURFACE

BITUMINOUS SURFACE SHALL CONSIST OF 1-1/2" MINIMUM COMPACTED THICKNESS BITUMINOUS CONCRETE SURFACE COURSE; CLASS I, OVER 2-1/2" MINIMUM COMPACTED THICKNESS BITUMINOUS BINDER COURSE, CLASS I.

### BASE COURSE

BASE COURSE SHALL BE 12" AGGREGATE BASE COURSE TYPE "B" IN ACCORDANCE WITH STATE SPECIFICATIONS. BASE SHALL BE CONSTRUCTED ON A COMPACTED, PREPARED AND ROLLED SUBGRADE. BASE SHALL BE PRIMED WITH MC-30 PRIOR TO PAVING.

### TYPICAL RURAL STREET CROSS SECTION

(Ord. passed 7-8-1970; Res. 09-167, passed 6-18-2009)